

# **Samsung Automotive LED**

## **Ray File Guide**

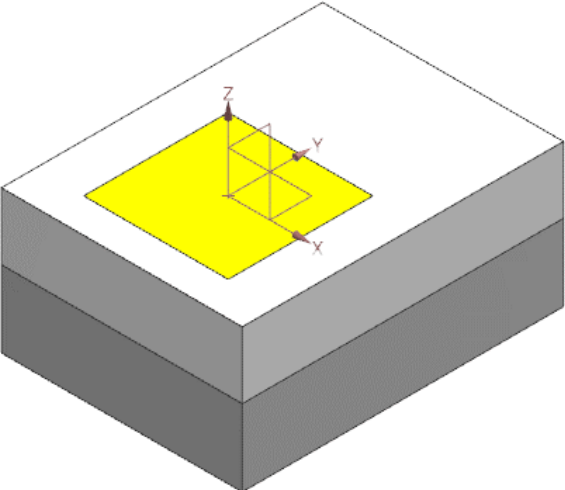
# Revision History

Date	Version	Name	Revision
'20.10.30	1.0	Will Chung	Initial Release
'21.07.19	1.1	Jackie Hong	Update axis information

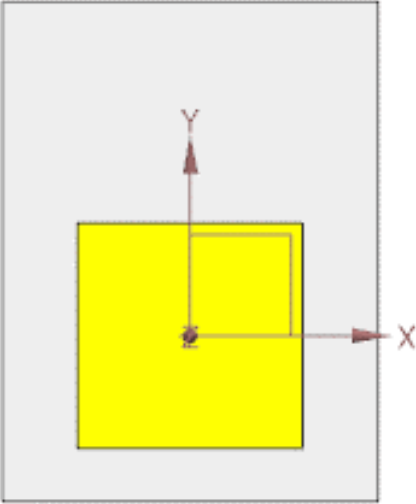
# C-series Gen3 : 1W White

C-Gen3 1W White

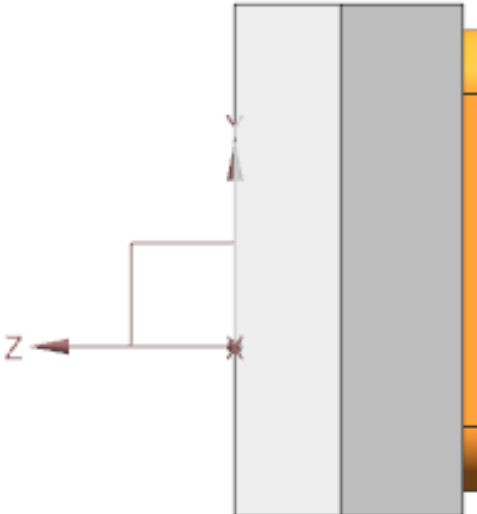
Isometric View



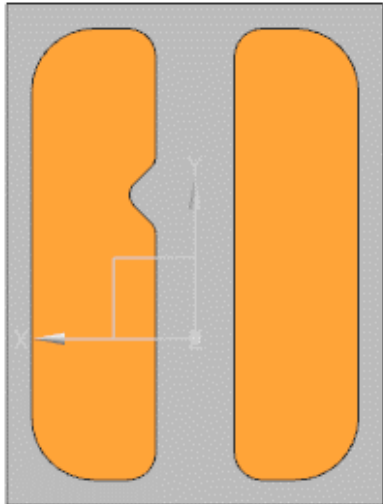
Top View



Side View



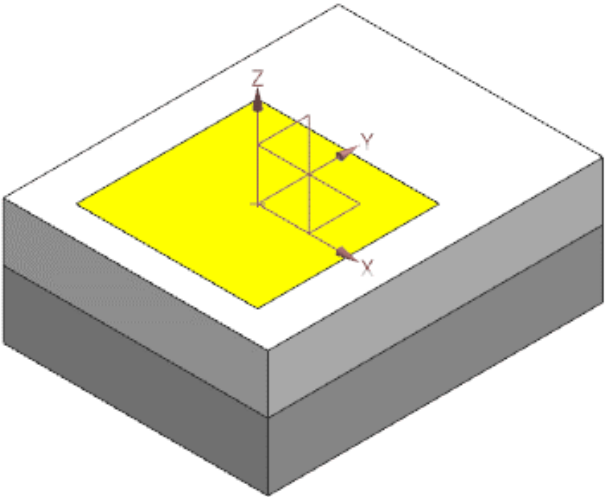
Bottom View



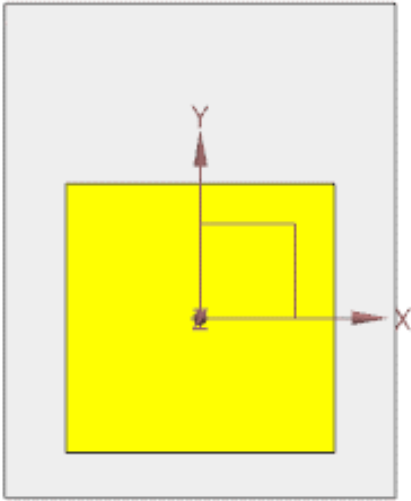
# C-series Gen3 : 3W White

C-Gen3 3W White

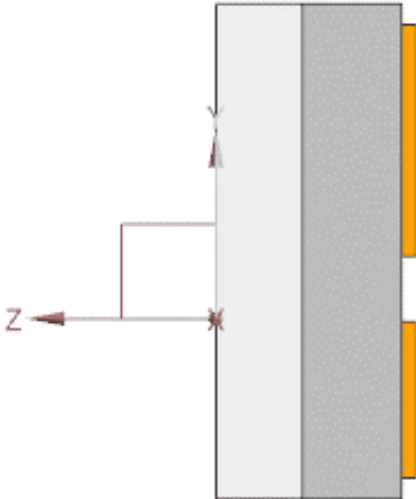
Isometric View



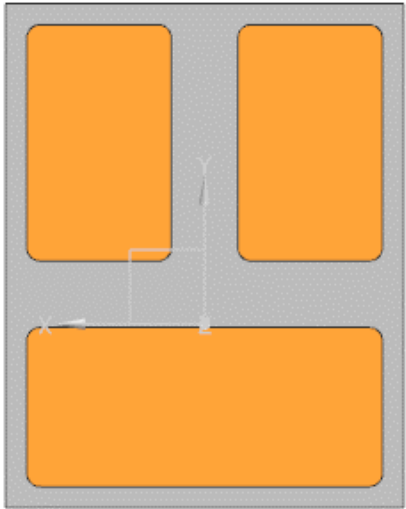
Top View



Side View



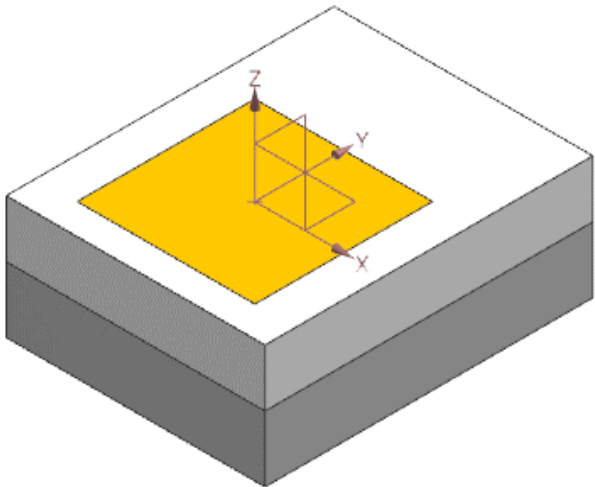
Bottom View



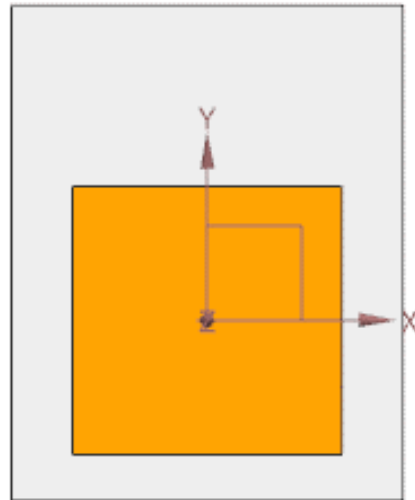
# C-series Gen3 : 3W Amber

## C-Gen3 3W Amber

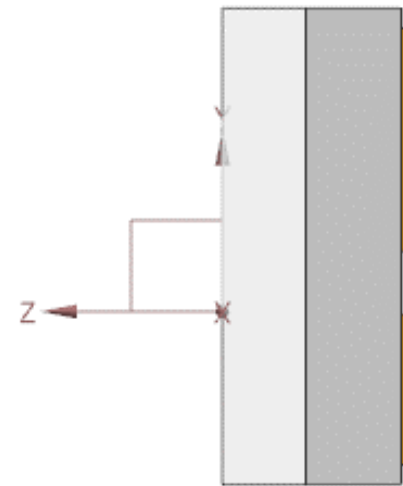
Isometric View



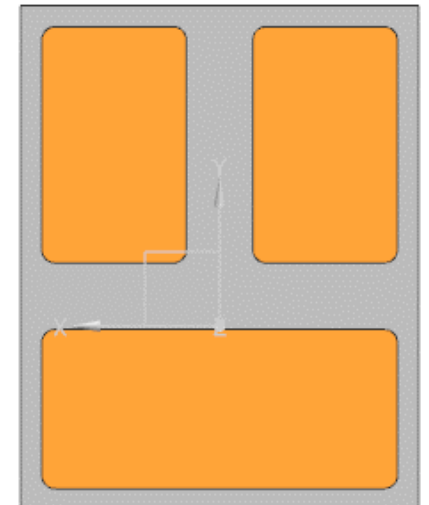
Top View



Side View



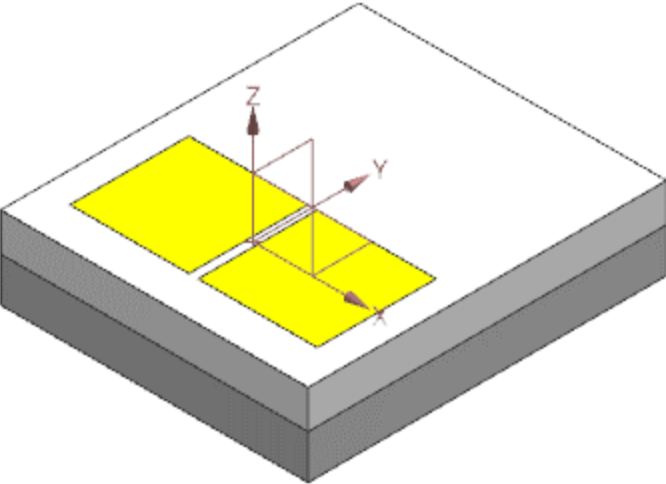
Bottom View



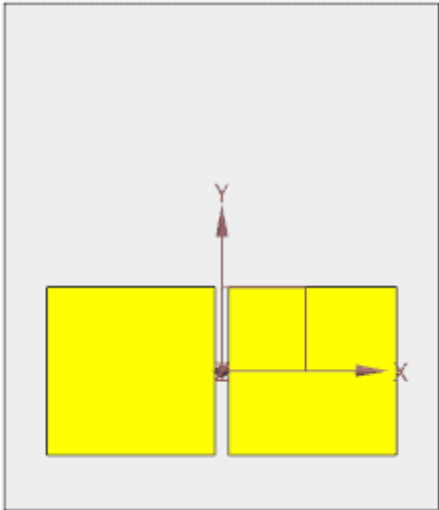
# C-series Gen3 : 6W White

C-Gen3 6W White

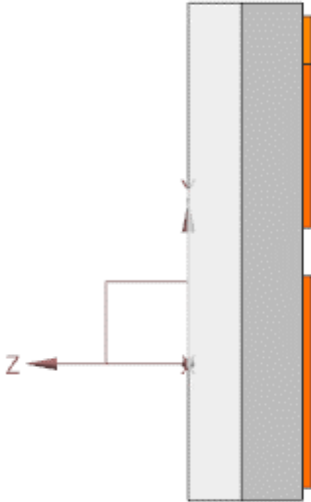
Isometric View



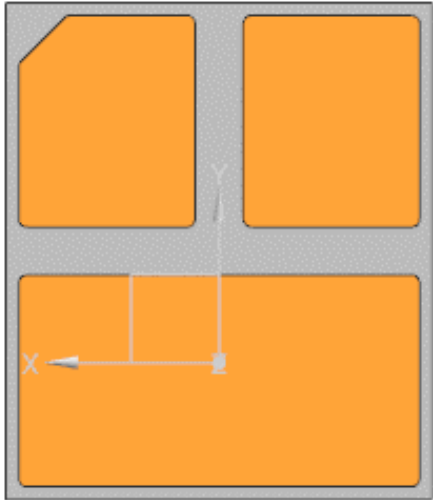
Top View



Side View



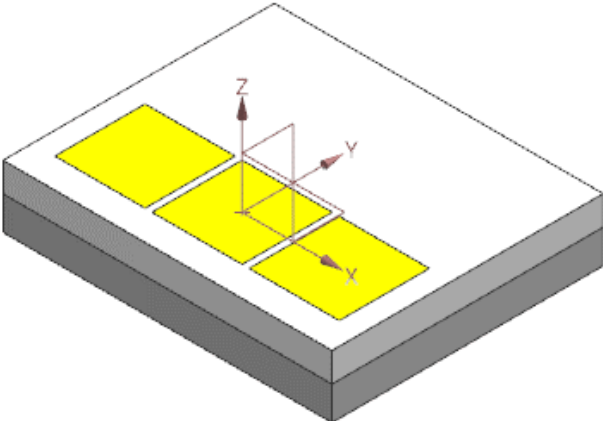
Bottom View



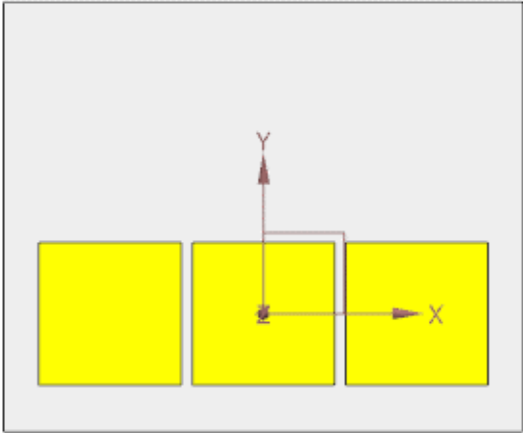
# C-series Gen3 : 9W White

C-Gen3 9W White

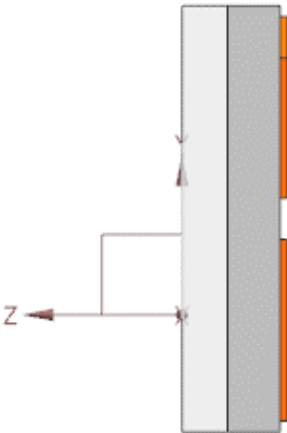
Isometric View



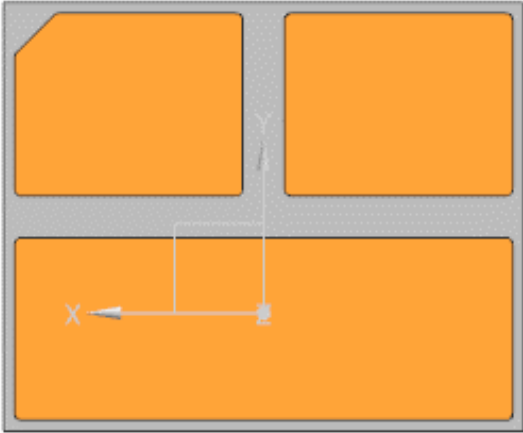
Top View



Side View



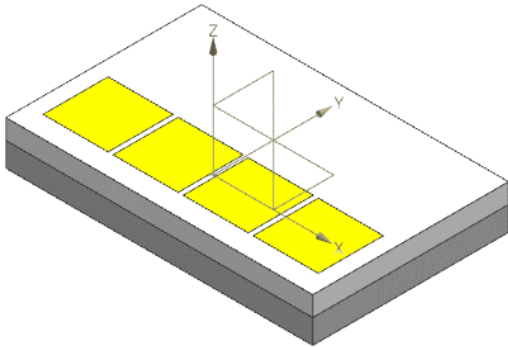
Bottom View



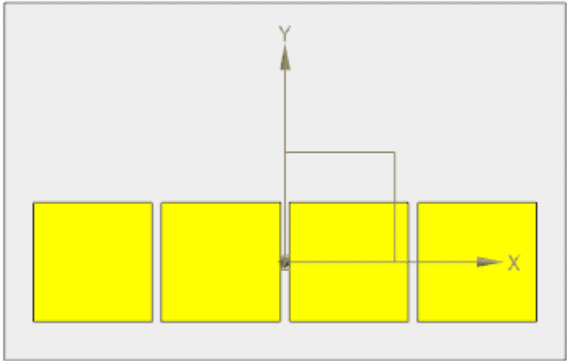
# C-series Gen3 : 12W White

## C-Gen3 12W White

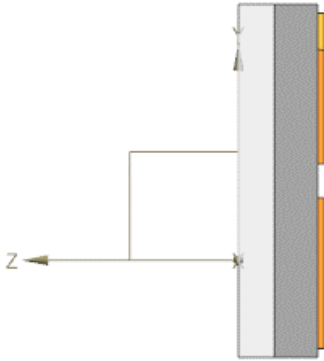
Isometric View



Top View



Side View



Bottom View

