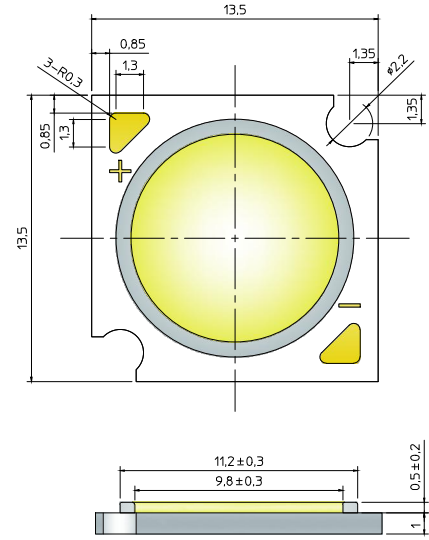


VIEW 'A' 1:1 (UNIT 완제품도)

REVISIONS				
ZONE	DESCRIPTION	DRAWING	CHECKED	APPROVED



SIGNATURES		MO/DA/YR	SAMSUNG ELECTRONICS		
DRAWING			1313 승인원도		
CHECKED					
APPROVED					
ALGLE ±1°		UNIT : mm	DEPT		PART NO.
CHAMFER 0.1 ~ 0.5			PKG Developent		
BREAK SHARP EDGE 0.3MAX.			SCALE	WT	Kg
CORNER RAD 0.3 ~ 0.8			1 / 1		SHEET 1 OF 1