

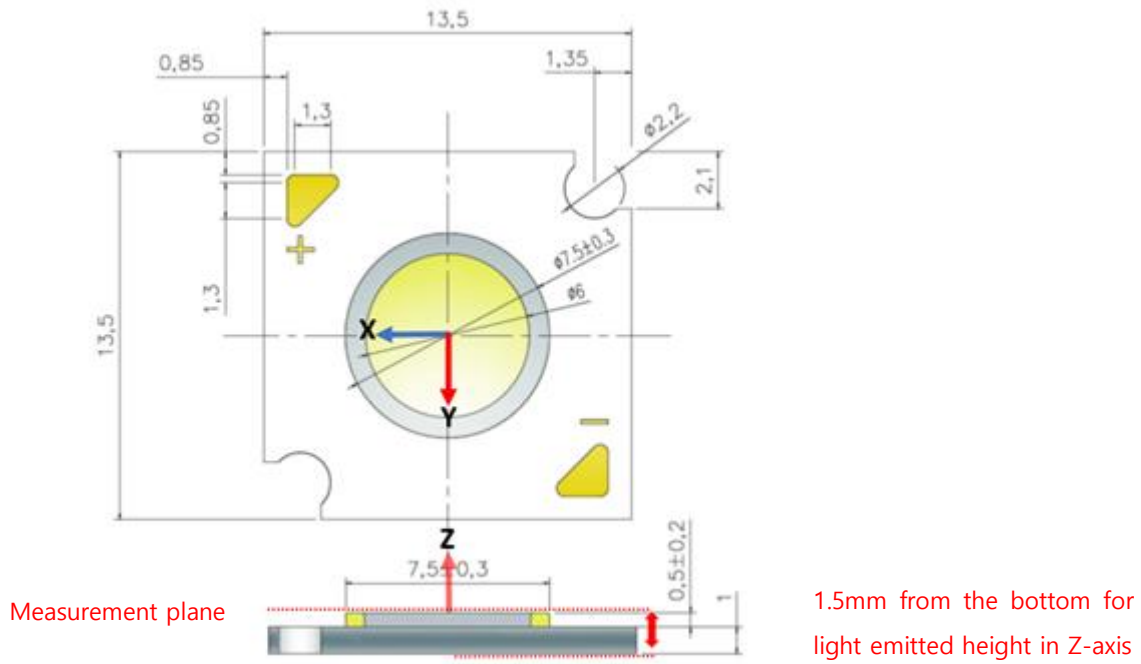
Ray File Information

LCxxxC

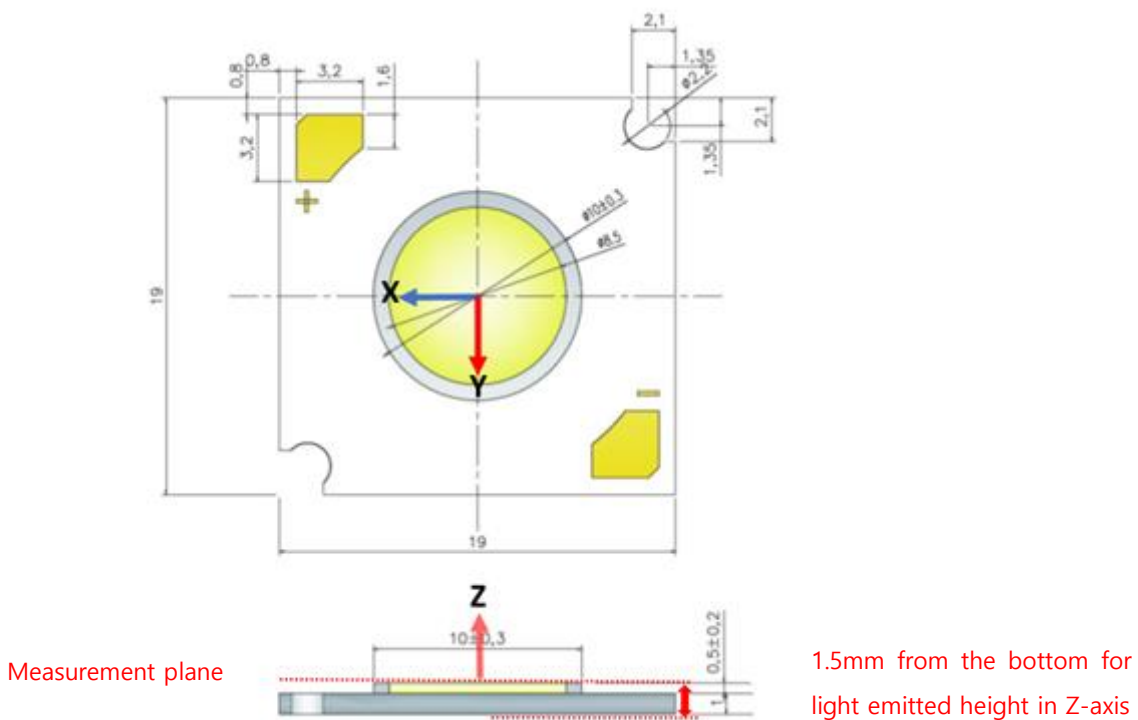
Rev.1.0 2020.04.01.

1. Optical center of Ray

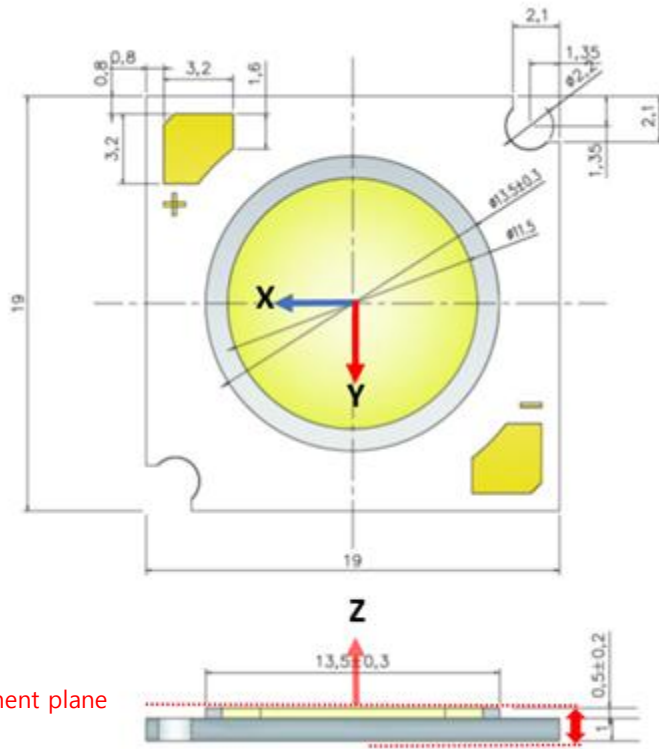
Model: LC010C



Model: LC020C

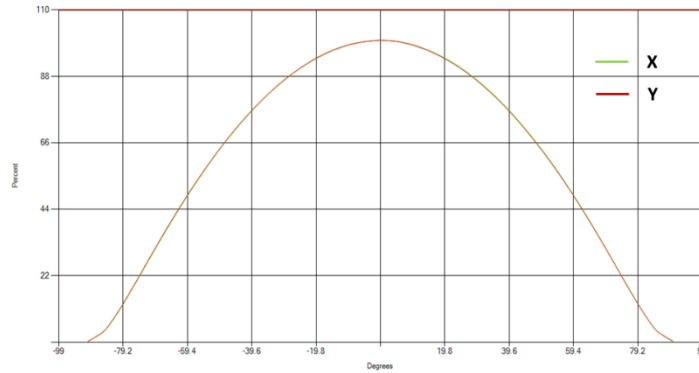
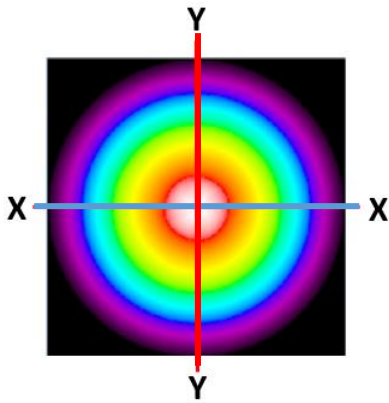


Model: LC030C, LC040C



1.5mm from the bottom for light emitted height in Z-axis

2. Directivity



3. Disclaimer and User Agreement

Please carefully read the below terms and conditions before using the information.

The information in this document is provided for your reference. All data were deemed correct at time of creation. Samsung is not liable for any errors or omissions, or for the results from the use of the provided information and data. Samsung Electronics Co., Ltd reserves the right to make changes without notice and is not obligated to provide any maintenance or support related to the Information.

4. Revision History

Date	Revision	Contents
2020-04-01	1.0	Add document for Rayfile information