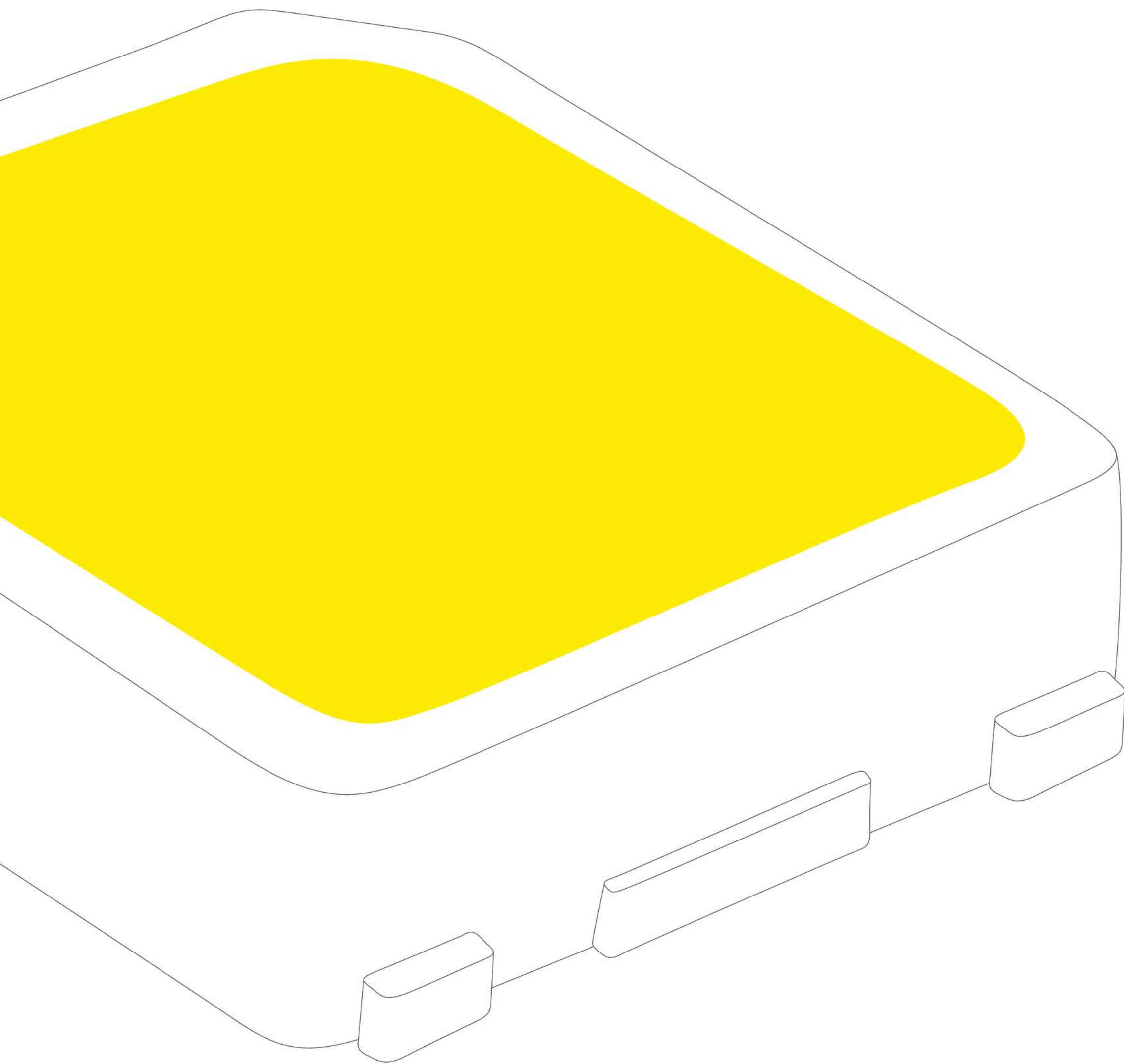


General Lighting | Package

Mid Power LEDs – 2835

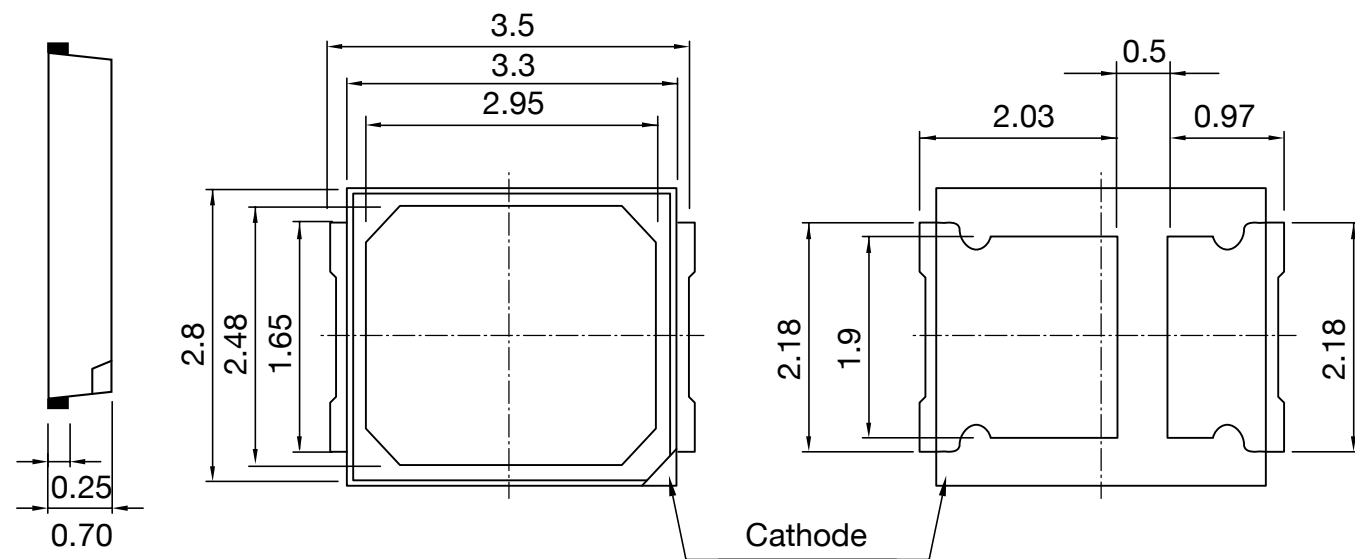


LM281B+ Pro



Designed for better lm/\$

- 0.5W class mid-power LED
- Suitable for ambient lights, downlights & lamps
- Standard footprint: 2.8mm x 3.5mm



[65mA, 25°C]

CRI	CCT (K)	Part Number	Luminous Flux (lm)			
			Bin	Min.	Max.	
80+	2700	SPMWH1228MD5WAW0VK	VK	32.5	34.5	
		SPMWH1228MD5WAW0VL	VL	34	36	
	3000	SPMWH1228MD5WAV0VK	VK	33.5	35.5	
		SPMWH1228MD5WAV0VL	VL	35	37	
	3500	SPMWH1228MD5WAU0VK	VK	34	36	
		SPMWH1228MD5WAU0VL	VL	35.5	37.5	
	4000	SPMWH1228MD5WAT0VK	VK	35	37	
		SPMWH1228MD5WAT0VL	VL	36.5	38.5	
	5000	SPMWH1228MD5WAR0VK	VK	35.5	37.5	
		SPMWH1228MD5WAR0VL	VL	36.5	38.5	
	5700	SPMWH1228MD5WAQ0VK	VK	35	37	
		SPMWH1228MD5WAQ0VL	VL	36.5	38.5	
	6500	SPMWH1228MD5WAP0VK	VK	35	37	
		SPMWH1228MD5WAP0VL	VL	36.5	38.5	
	90+	2700	SPMWH1228MD7WAW0VK	VK	27.5	29.5
			SPMWH1228MD7WAW0VL	VL	28.5	30.5
3000		SPMWH1228MD7WAV0VK	VK	28.5	30.5	
		SPMWH1228MD7WAV0VL	VL	29.5	31.5	
3500		SPMWH1228MD7WAU0VK	VK	29.5	31.5	
		SPMWH1228MD7WAU0VL	VL	30.5	32.5	
4000		SPMWH1228MD7WAT0VK	VK	30.5	32.5	
		SPMWH1228MD7WAT0VL	VL	31.5	33.5	
5000		SPMWH1228MD7WAR0VK	VK	32	34	
		SPMWH1228MD7WAR0VL	VL	31.5	33.5	
5700		SPMWH1228MD7WAQ0VK	VK	31	33	
		SPMWH1228MD7WAQ0VL	VL	31.5	33.5	
6500		SPMWH1228MD7WAP0VK	VK	30.5	32.5	
		SPMWH1228MD7WAP0VL	VL	31.5	33.5	

LM281B+ Pro

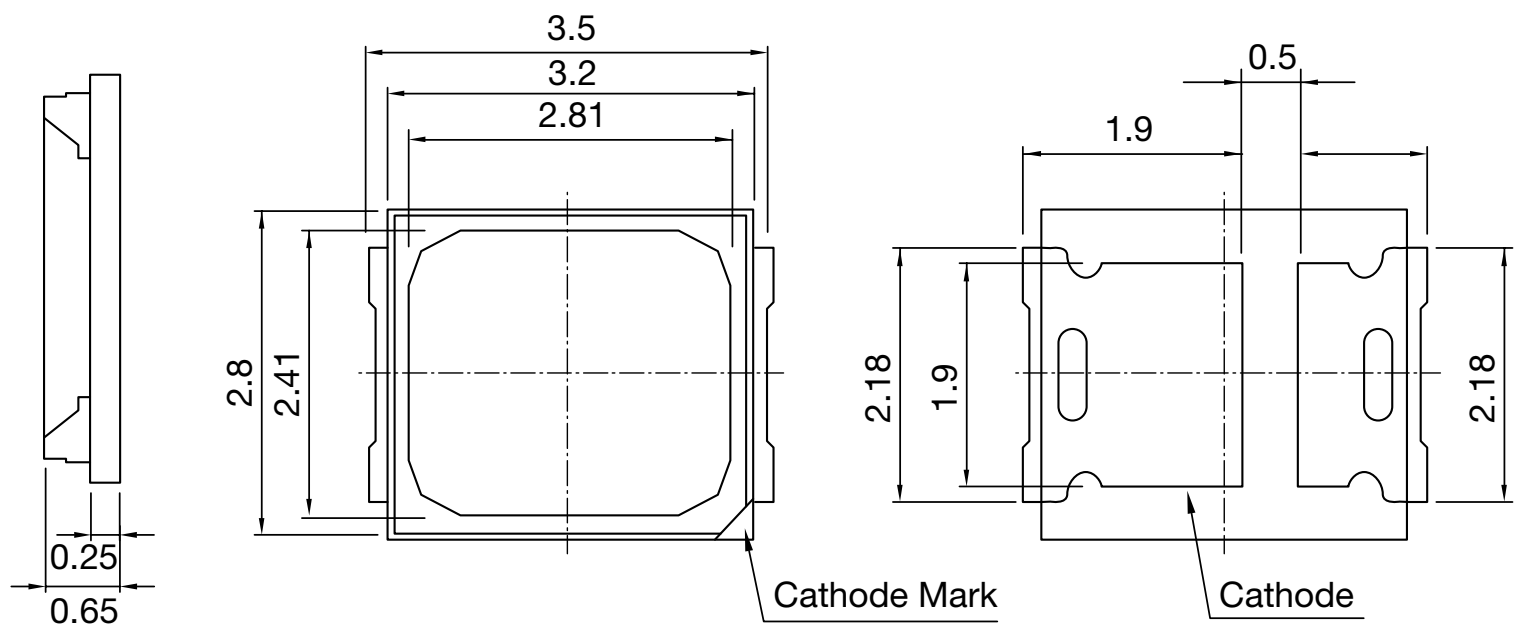
[150mA, 25°C]

CRI	CCT (K)	Part Number	Luminous Flux (lm)			
			Bin	Min.	Max.	
80+	2700	SPMWH1228FD5WAW0VG	VG	66.5	70.5	
		SPMWH1228FD5WAW0VJ	VJ	70.5	74.5	
	3000	SPMWH1228FD5WAV0VG	VG	68.5	72.5	
		SPMWH1228FD5WAV0VJ	VJ	72.5	76.5	
	3500	SPMWH1228FD5WAU0VG	VG	69.5	73.5	
		SPMWH1228FD5WAU0VJ	VJ	73.5	77.5	
	4000	SPMWH1228FD5WAT0VG	VG	72	76	
		SPMWH1228FD5WAT0VJ	VJ	76	80	
	5000	SPMWH1228FD5WAR0VG	VG	73	77	
		SPMWH1228FD5WAR0VJ	VJ	77	81	
	5700	SPMWH1228FD5WAQ0VG	VG	72.5	76.5	
		SPMWH1228FD5WAQ0VJ	VJ	76.5	80.5	
	6500	SPMWH1228FD5WAP0VG	VG	72	76	
		SPMWH1228FD5WAP0VJ	VJ	76	80	
	90+	2700	SPMWH1228FD7WAW0VG	VG	56.5	60.5
			SPMWH1228FD7WAW0VJ	VJ	59.5	63.5
		3000	SPMWH1228FD7WAV0VG	VG	58	62
			SPMWH1228FD7WAV0VJ	VJ	61	65
3500		SPMWH1228FD7WAU0VG	VG	59	63	
		SPMWH1228FD7WAU0VJ	VJ	62	66	
4000		SPMWH1228FD7WAT0VG	VG	61	65	
		SPMWH1228FD7WAT0VJ	VJ	64	68	
5000		SPMWH1228FD7WAR0VG	VG	62	66	
		SPMWH1228FD7WAR0VJ	VJ	65	69	
5700		SPMWH1228FD7WAQ0VG	VG	61.5	65.5	
		SPMWH1228FD7WAQ0VJ	VJ	64.5	68.5	
6500		SPMWH1228FD7WAP0VG	VG	61	65	
		SPMWH1228FD7WAP0VJ	VJ	64	68	



Designed for better lm/\$

- 0.2W class mid-power 3V LED
- Suitable for ambient lights, downlights & lamps
- Standard footprint: 2.8mm x 3.5mm



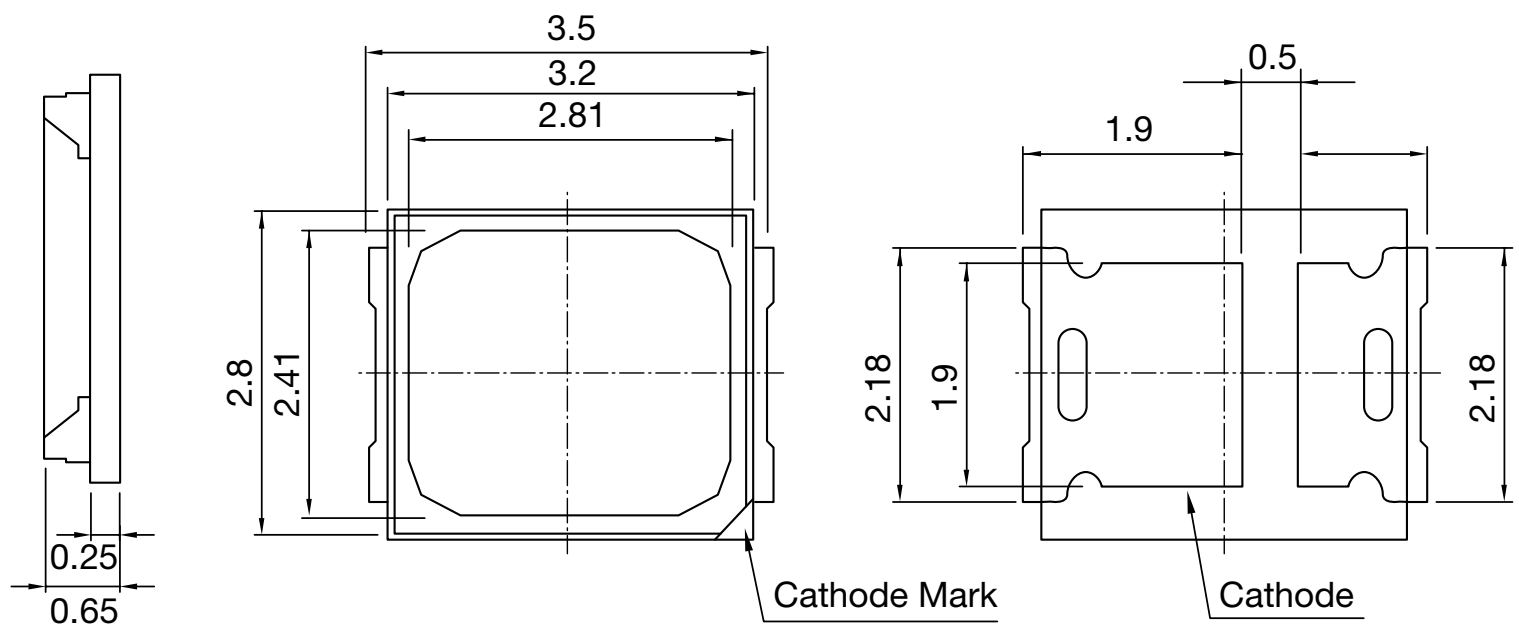
[60mA, 25°C]

CRI	CCT (K)	Part Number	Luminous Flux (lm)			
			Bin	Min.	Max.	
80+	2700	SPMWH22286D5WAW0S2	S2	23	25	
		SPMWH22286D5WAW0S3	S3	25.5	27.5	
	3000	SPMWH22286D5WAV0S2	S2	23.5	25.5	
		SPMWH22286D5WAV0S3	S3	26.5	28.5	
	3500	SPMWH22286D5WAU0S2	S2	24	26	
		SPMWH22286D5WAU0S3	S3	27	29	
	4000	SPMWH22286D5WAT0S2	S2	25	27	
		SPMWH22286D5WAT0S3	S3	28	30	
	5000	SPMWH22286D5WAR0S2	S2	25.5	27.5	
		SPMWH22286D5WAR0S3	S3	28.5	30.5	
	5700	SPMWH22286D5WAQ0S2	S2	25.5	27.5	
		SPMWH22286D5WAQ0S3	S3	28	30	
	6500	SPMWH22286D5WAP0S2	S2	25	27	
		SPMWH22286D5WAP0S3	S3	28	30	
	90+	2700	SPMWH22286D7WAW0S2	S2	19	20.5
			SPMWH22286D7WAW0S3	S3	21.5	23
3000		SPMWH22286D7WAV0S2	S2	19.5	21	
		SPMWH22286D7WAV0S3	S3	22.5	24	
3500		SPMWH22286D7WAU0S2	S2	20	21.5	
		SPMWH22286D7WAU0S3	S3	23	24.5	
4000		SPMWH22286D7WAT0S2	S2	21	22.5	
		SPMWH22286D7WAT0S3	S3	24	25.5	
5000		SPMWH22286D7WAR0S2	S2	21.5	23	
		SPMWH22286D7WAR0S3	S3	24.5	26	
5700		SPMWH22286D7WAQ0S2	S2	21.5	23	
		SPMWH22286D7WAQ0S3	S3	24	25.5	
6500		SPMWH22286D7WAP0S2	S2	21	22.5	
		SPMWH22286D7WAP0S3	S3	24	25.5	



Designed for better lm/\$

- 0.5W class mid-power LED
- Suitable for ambient lights, downlights & lamps
- Standard footprint: 2.8mm x 3.5mm



[65mA, 25°C]

CRI	CCT (K)	Part Number	Luminous Flux (lm)		
			Bin	Min.	Max.
80+	2700	SPMWH1228MD5WAW0RK	RK	32.5	34.5
	3000	SPMWH1228MD5WAV0RK	RK	33.5	35.5
	3500	SPMWH1228MD5WAU0RK	RK	34	36
	4000	SPMWH1228MD5WAT0RK	RK	35	37
	5000	SPMWH1228MD5WAR0RK	RK	35.5	37.5
	5700	SPMWH1228MD5WAQ0RK	RK	35	37
	6500	SPMWH1228MD5WAP0RK	RK	35	37

[150mA, 25°C]

CRI	CCT (K)	Part Number	Luminous Flux (lm)		
			Bin	Min.	Max.
80+	2700	SPMWH1228FD5WAW0SA	SA	54.5	58.5
		SPMWH1228FD5WAW0SC	SC	58.5	62.5
		SPMWH1228FD5WAW0SE	SE	62.5	66.5
		SPMWH1228FD5WAW0RG	RG	66.5	70.5
		SPMWH1228FD5WAW0RJ	RJ	70.5	74.5
	3000	SPMWH1228FD5WAV0SA	SA	56.5	60.5
		SPMWH1228FD5WAV0SC	SC	60.5	64.5
		SPMWH1228FD5WAV0SE	SE	64.5	68.5
		SPMWH1228FD5WAV0RG	RG	68.5	72.5
		SPMWH1228FD5WAV0RJ	RJ	72.5	76.5
	3500	SPMWH1228FD5WAU0SA	SA	57.5	61.5
		SPMWH1228FD5WAU0SC	SC	61.5	65.5
		SPMWH1228FD5WAU0SE	SE	65.5	69.5
		SPMWH1228FD5WAU0RG	RG	69.5	73.5
		SPMWH1228FD5WAU0RJ	RJ	73.5	77.5
	4000	SPMWH1228FD5WAT0SA	SA	60	64
		SPMWH1228FD5WAT0SC	SC	64	68
		SPMWH1228FD5WAT0SE	SE	68	72
		SPMWH1228FD5WAT0RG	RG	72	76
		SPMWH1228FD5WAT0RJ	RJ	76	80
	5000	SPMWH1228FD5WAR0SA	SA	61	65
		SPMWH1228FD5WAR0SC	SC	65	69
		SPMWH1228FD5WAR0SE	SE	69	73
		SPMWH1228FD5WAR0RG	RG	73	77
		SPMWH1228FD5WAR0RJ	RJ	77	81
	5700	SPMWH1228FD5WAQ0SA	SA	60.5	64.5
		SPMWH1228FD5WAQ0SC	SC	64.5	68.5
		SPMWH1228FD5WAQ0SE	SE	68.5	72.5
		SPMWH1228FD5WAQ0RG	RG	72.5	76.5
		SPMWH1228FD5WAQ0RJ	RJ	76.5	80.5
6500	SPMWH1228FD5WAP0SA	SA	60	64	
	SPMWH1228FD5WAP0SC	SC	64	68	
	SPMWH1228FD5WAP0SE	SE	68	72	
	SPMWH1228FD5WAP0RG	RG	72	76	
	SPMWH1228FD5WAP0RJ	RJ	76	80	

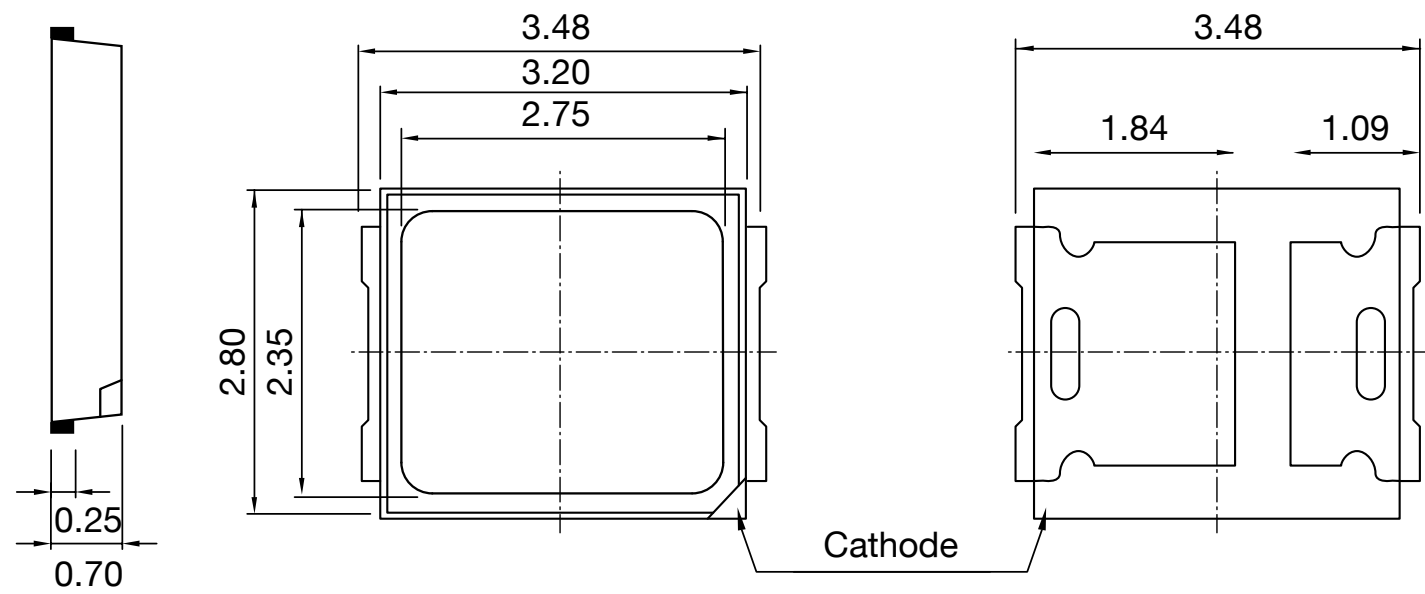
[150mA, 25°C]

CRI	CCT (K)	Part Number	Luminous Flux (lm)		
			Bin	Min.	Max.
90+	2700	SPMWH1228FD7WAW0SA	SA	44.5	48.5
		SPMWH1228FD7WAW0SC	SC	48.5	52.5
		SPMWH1228FD7WAW0SE	SE	52.5	56.5
		SPMWH1228FD7WAW0RG	RG	56.5	60.5
		SPMWH1228FD7WAW0RJ	RJ	59.5	63.5
	3000	SPMWH1228FD7WAV0SA	SA	46	50
		SPMWH1228FD7WAV0SC	SC	50	54
		SPMWH1228FD7WAV0SE	SE	54	58
		SPMWH1228FD7WAV0RG	RG	58	62
		SPMWH1228FD7WAV0RJ	RJ	61	65
	3500	SPMWH1228FD7WAU0SA	SA	47	51
		SPMWH1228FD7WAU0SC	SC	51	55
		SPMWH1228FD7WAU0SE	SE	55	59
		SPMWH1228FD7WAU0RG	RG	59	63
		SPMWH1228FD7WAU0RJ	RJ	62	66
	4000	SPMWH1228FD7WAT0SA	SA	49	53
		SPMWH1228FD7WAT0SC	SC	53	57
		SPMWH1228FD7WAT0SE	SE	57	61
		SPMWH1228FD7WAT0RG	RG	61	65
		SPMWH1228FD7WAT0RJ	RJ	64	68
	5000	SPMWH1228FD7WAR0SA	SA	50	54
		SPMWH1228FD7WAR0SC	SC	54	58
		SPMWH1228FD7WAR0SE	SE	58	62
		SPMWH1228FD7WAR0RG	RG	62	66
		SPMWH1228FD7WAR0RJ	RJ	65	69
	5700	SPMWH1228FD7WAQ0SA	SA	49.5	53.5
		SPMWH1228FD7WAQ0SC	SC	53.5	57.5
		SPMWH1228FD7WAQ0SE	SE	57.5	61.5
		SPMWH1228FD7WAQ0RG	RG	61.5	65.5
		SPMWH1228FD7WAQ0RJ	RJ	64.5	68.5
6500	SPMWH1228FD7WAP0SA	SA	49	53	
	SPMWH1228FD7WAP0SC	SC	53	57	
	SPMWH1228FD7WAP0SE	SE	57	61	
	SPMWH1228FD7WAP0RG	RG	61	65	
	SPMWH1228FD7WAP0RJ	RJ	64	68	



Designed for better lm/\$

- 1W class mid-power 6V LED
- Suitable for downlights, ambient lights & lamps
- Standard footprint: 2.8mm x 3.5mm



[150mA, 25°C]

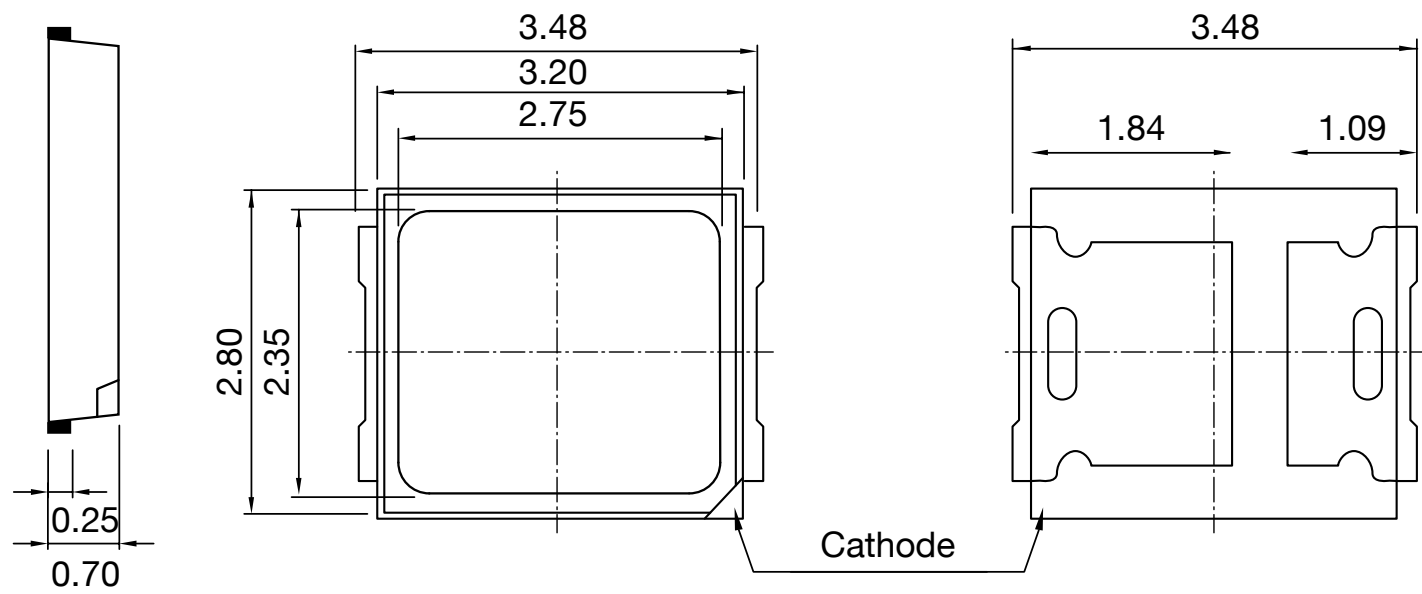
CRI	CCT (K)	Part Number	Luminous Flux (lm)		
			Bin	Min.	Max.
80+	2700	SPMWH1221FQ5GBW0SA	SA	111	121
		SPMWH1221FQ5GBW0SB	SB	121	131
	3000	SPMWH1221FQ5GBV0SA	SA	115	125
		SPMWH1221FQ5GBV0SB	SB	125	135
	3500	SPMWH1221FQ5GBU0SA	SA	117	127
		SPMWH1221FQ5GBU0SB	SB	127	137
	4000	SPMWH1221FQ5GBT0SA	SA	121	131
		SPMWH1221FQ5GBT0SB	SB	131	141
	5000	SPMWH1221FQ5GBR0SA	SA	123	133
		SPMWH1221FQ5GBR0SB	SB	133	143
	5700	SPMWH1221FQ5GBQ0SA	SA	122	132
		SPMWH1221FQ5GBQ0SB	SB	132	142
	6500	SPMWH1221FQ5GBP0SA	SA	121	131
		SPMWH1221FQ5GBP0SB	SB	131	141
90+	2700	SPMWH1221FQ7GBW0SA	SA	93	103
		SPMWH1221FQ7GBW0SB	SB	103	113
	3000	SPMWH1221FQ7GBV0SA	SA	97	107
		SPMWH1221FQ7GBV0SB	SB	107	117
	3500	SPMWH1221FQ7GBU0SA	SA	98	108
		SPMWH1221FQ7GBU0SB	SB	108	118
	4000	SPMWH1221FQ7GBT0SA	SA	102	112
		SPMWH1221FQ7GBT0SB	SB	112	122
	5000	SPMWH1221FQ7GBR0SA	SA	103	113
		SPMWH1221FQ7GBR0SB	SB	113	123
	5700	SPMWH1221FQ7GBQ0SA	SA	102	112
		SPMWH1221FQ7GBQ0SB	SB	112	122
	6500	SPMWH1221FQ7GBP0SA	SA	102	112
		SPMWH1221FQ7GBP0SB	SB	112	122

* Color coordinates : Considering the color shift during high temp. operation, provided at hot temp. color shift coordinates.



Designed for better lm/\$

- 1W class mid-power 9V LED
- Suitable for lamps & downlights
- Standard footprint: 2.8mm x 3.5mm



[100mA, 25°C]

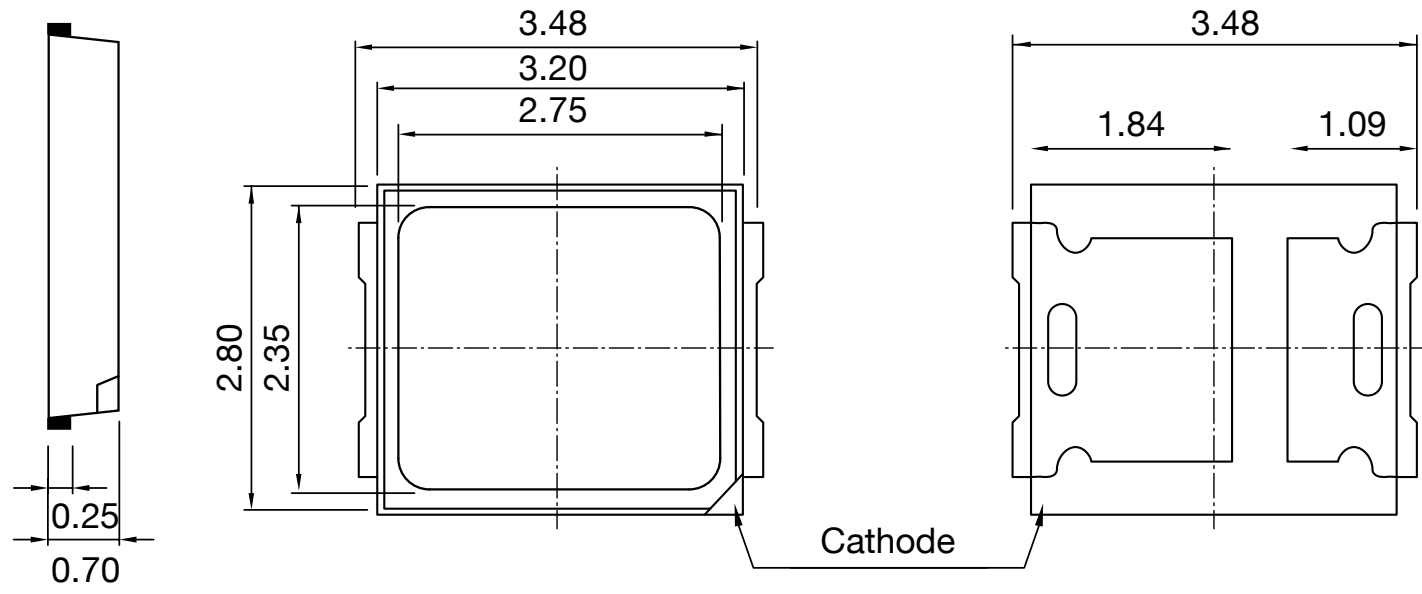
CRI	CCT (K)	Part Number	Luminous Flux (lm)		
			Bin	Min.	Max.
80+	2700	SPMWH1229AQ5SGW0SL	SL	112	122
		SPMWH1229AQ5SGW0SM	SM	122	132
	3000	SPMWH1229AQ5SGV0SL	SL	113	123
		SPMWH1229AQ5SGV0SM	SM	123	133
	3500	SPMWH1229AQ5SGU0SL	SL	117	127
		SPMWH1229AQ5SGU0SM	SM	127	137
	4000	SPMWH1229AQ5SGT0SL	SL	122	132
		SPMWH1229AQ5SGT0SM	SM	132	142
	5000	SPMWH1229AQ5SGR0SL	SL	124	134
		SPMWH1229AQ5SGR0SM	SM	132	142
	5700	SPMWH1229AQ5SGQ0SL	SL	123	133
		SPMWH1229AQ5SGQ0SM	SM	132	142
	6500	SPMWH1229AQ5SGP0SL	SL	122	132
		SPMWH1229AQ5SGP0SM	SM	132	142
90+	2700	SPMWH1229AQ7SGW0SL	SL	93	103
		SPMWH1229AQ7SGW0SM	SM	103	113
	3000	SPMWH1229AQ7SGV0SL	SL	94	104
		SPMWH1229AQ7SGV0SM	SM	104	114
	3500	SPMWH1229AQ7SGU0SL	SL	98	108
		SPMWH1229AQ7SGU0SM	SM	108	118
	4000	SPMWH1229AQ7SGT0SL	SL	102	112
		SPMWH1229AQ7SGT0SM	SM	114	124
	5000	SPMWH1229AQ7SGR0SL	SL	104	114
		SPMWH1229AQ7SGR0SM	SM	114	124
	5700	SPMWH1229AQ7SGQ0SL	SL	103	113
		SPMWH1229AQ7SGQ0SM	SM	114	124
	6500	SPMWH1229AQ7SGP0SL	SL	102	112
		SPMWH1229AQ7SGP0SM	SM	114	124

* Color coordinates : Considering the color shift during high temp. operation, provided at hot temp. color shift coordinates.



Designed for better lm/\$

- 1W class mid-power 12V LED
- Suitable for lamps & downlights
- Standard footprint: 2.8mm x 3.5mm



[75mA, 25°C]

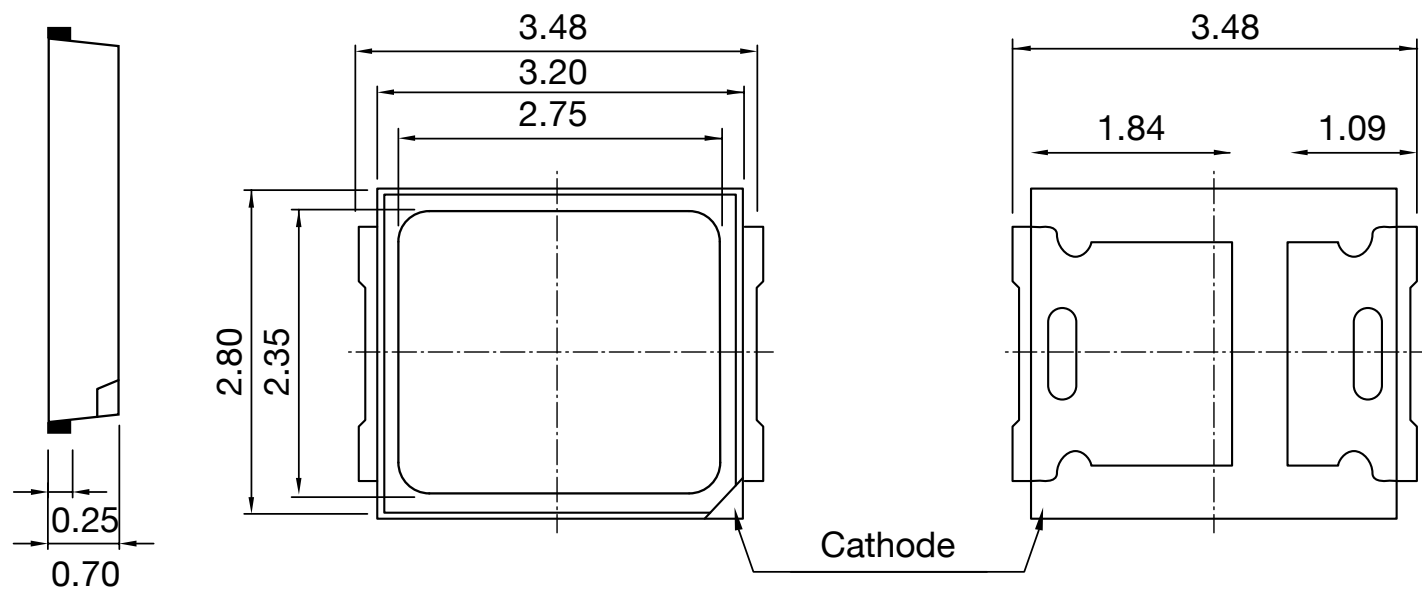
CRI	CCT (K)	Part Number	Luminous Flux (lm)		
			Bin	Min.	Max.
80+	2700	SPMWH1229AQ5SGW0SB	SB	108	118
	3000	SPMWH1229AQ5SGV0SB	SB	110	120
	3500	SPMWH1229AQ5SGU0SB	SB	113	123
	4000	SPMWH1229AQ5SGT0SB	SB	115	125
	5000	SPMWH1229AQ5SGR0SB	SB	120	130
	5700	SPMWH1229AQ5SGQ0SB	SB	118	128
	6500	SPMWH1229AQ5SGP0SB	SB	115	125

※ Color coordinates : Considering the color shift during high temp. operation, provided at hot temp. color shift coordinates.



Designed for better lm/\$

- 1W class mid-power 18V LED
- Suitable for lamps & downlights
- Standard footprint: 2.8mm x 3.5mm



[50mA, 25°C]

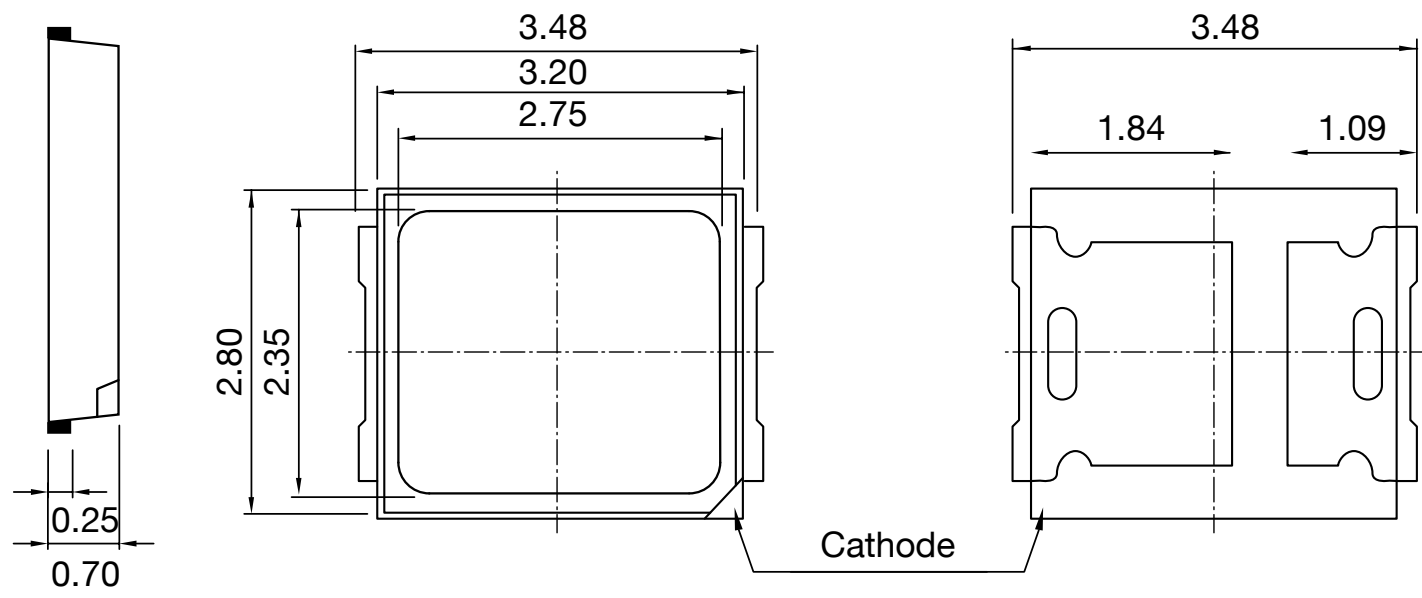
CRI	CCT (K)	Part Number	Luminous Flux (lm)		
			Bin	Min.	Max.
80+	2700	SPMWH12245Q5W8W0SA	SA	100	110
		SPMWH12245Q5W8W0SB	SB	126	136
	3000	SPMWH12245Q5W8V0SA	SA	103	113
		SPMWH12245Q5W8V0SB	SB	128	138
	3500	SPMWH12245Q5W8U0SA	SA	107	117
		SPMWH12245Q5W8U0SB	SB	132	142
	4000	SPMWH12245Q5W8T0SA	SA	111	121
		SPMWH12245Q5W8T0SB	SB	138	148
	5000	SPMWH12245Q5W8R0SA	SA	114	124
		SPMWH12245Q5W8R0SB	SB	139	149
	5700	SPMWH12245Q5W8Q0SA	SA	112	122
		SPMWH12245Q5W8Q0SB	SB	137	147
6500	SPMWH12245Q5W8Q0SA	SA	111	121	
	SPMWH12245Q5W8Q0SB	SB	135	145	
90+	2700	SPMWH12245Q7W8W0SA	SA	85	95
		SPMWH12245Q7W8W0SB	SB	105	115
	3000	SPMWH12245Q7W8V0SA	SA	88	98
		SPMWH12245Q7W8V0SB	SB	108	118
	3500	SPMWH12245Q7W8U0SA	SA	91	101
		SPMWH12245Q7W8U0SB	SB	110	120
	4000	SPMWH12245Q7W8T0SA	SA	95	105
		SPMWH12245Q7W8T0SB	SB	112	122
	5000	SPMWH12245Q7W8R0SA	SA	97	107
		SPMWH12245Q7W8R0SB	SB	114	124
	5700	SPMWH12245Q7W8Q0SA	SA	96	106
		SPMWH12245Q7W8Q0SB	SB	113	123
6500	SPMWH12245Q7W8P0SA	SA	95	105	
	SPMWH12245Q7W8P0SB	SB	112	122	

※ Color coordinates : Considering the color shift during high temp. operation, provided at hot temp. color shift coordinates.



Designed for better lm/\$

- 1W class mid-power 36V LED
- Suitable for lamps
- Standard footprint: 2.8mm x 3.5mm



[30mA, 25°C]

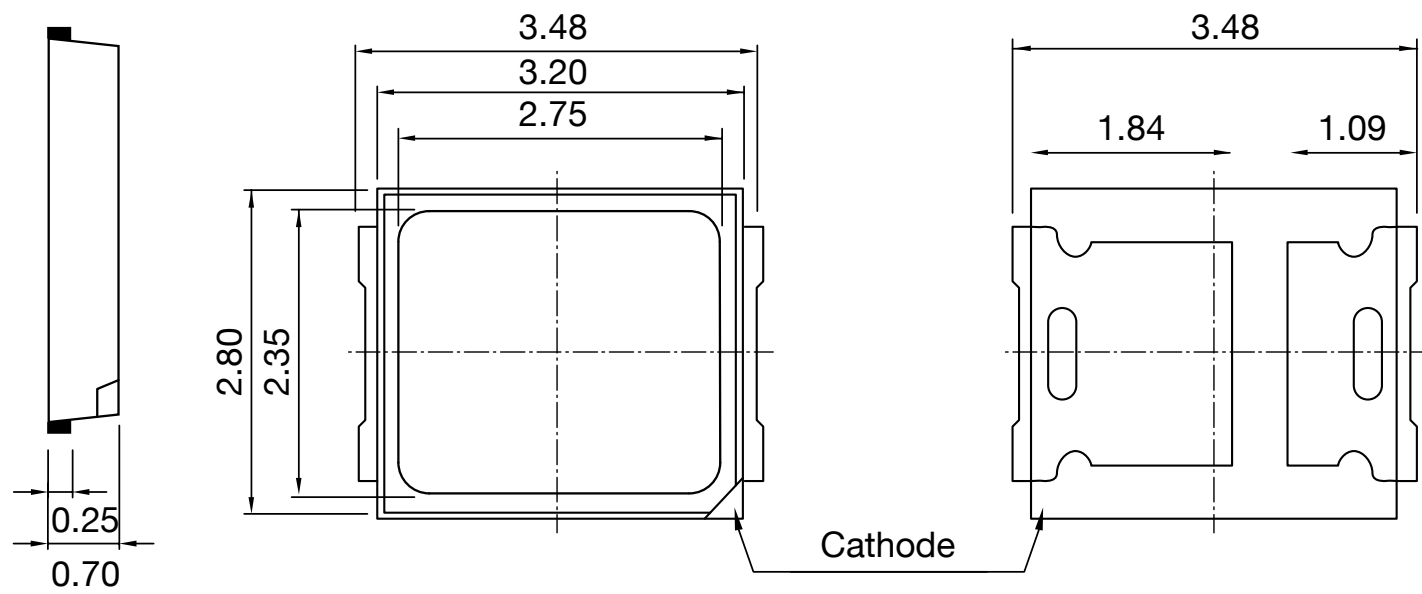
CRI	CCT (K)	Part Number	Luminous Flux (lm)		
			Bin	Min.	Max.
80+	2700	SPMWH12253Q5SGW0SA	SA	125	135
	3000	SPMWH12253Q5SGV0SA	SA	128	138
	3500	SPMWH12253Q5SGU0SA	SA	132	142
	4000	SPMWH12253Q5SGT0SA	SA	136	146
	5000	SPMWH12253Q5SGR0SA	SA	139	149
	5700	SPMWH12253Q5SGQ0SA	SA	137	147
	6500	SPMWH12253Q5SGP0SA	SA	136	146

※ Color coordinates : Considering the color shift during high temp. operation, provided at hot temp. color shift coordinates.



Designed for better lm/\$

- 1W class mid-power 54V LED
- Suitable for lamps
- Standard footprint: 2.8mm x 3.5mm



[20mA, 25°C]

CRI	CCT (K)	Part Number	Luminous Flux (lm)		
			Bin	Min.	Max.
80+	2700	SPMWH12262Q5SGW0SA	SA	125	135
	3000	SPMWH12262Q5SGV0SA	SA	128	138
	3500	SPMWH12262Q5SGU0SA	SA	132	142
	4000	SPMWH12262Q5SGT0SA	SA	136	146
	5000	SPMWH12262Q5SGR0SA	SA	139	149
	5700	SPMWH12262Q5SGQ0SA	SA	137	147
	6500	SPMWH12262Q5SGP0SA	SA	136	146

※ Color coordinates : Considering the color shift during high temp. operation, provided at hot temp. color shift coordinates.