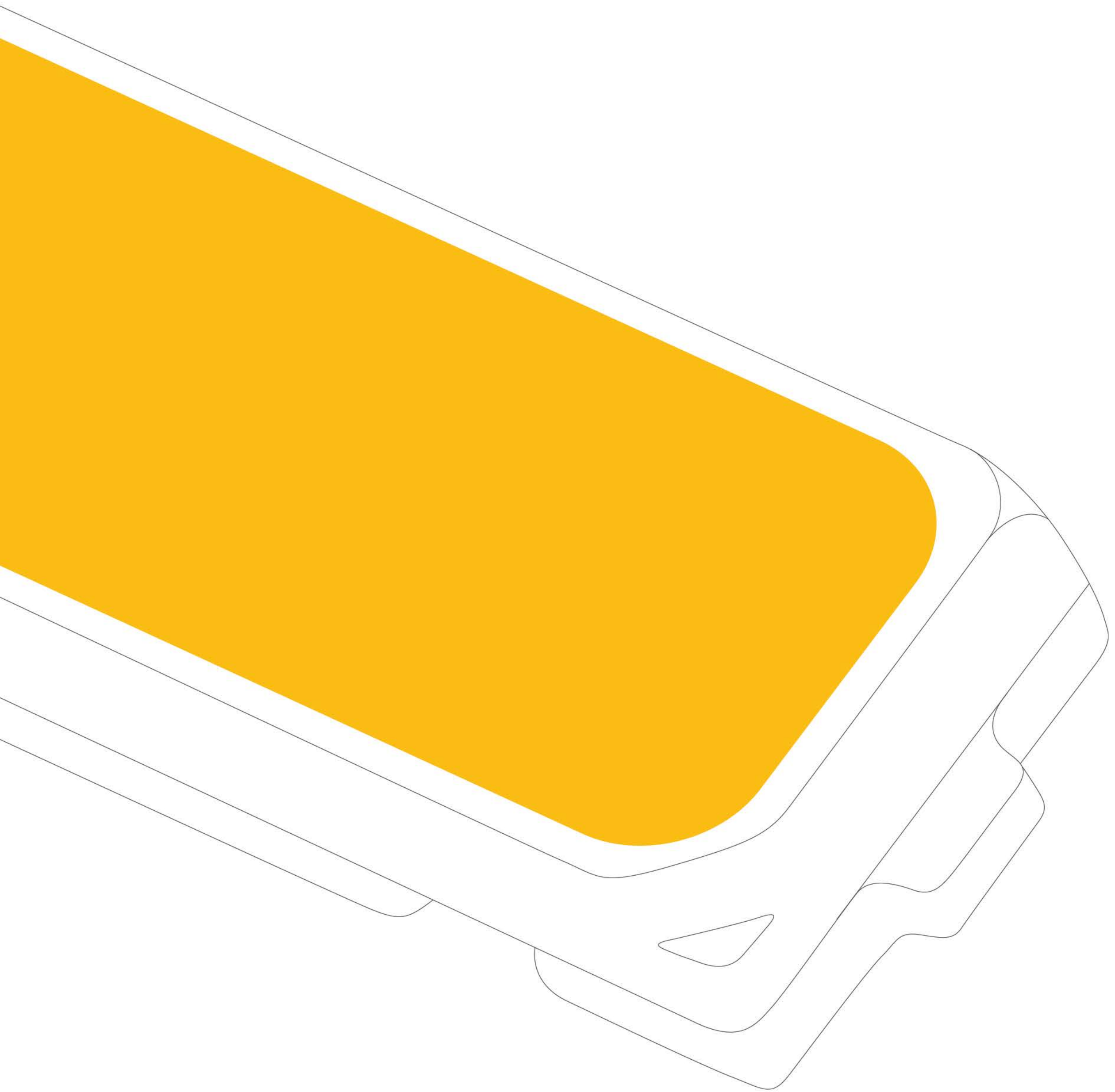


General Lighting | Package

Mid Power LEDs -4014

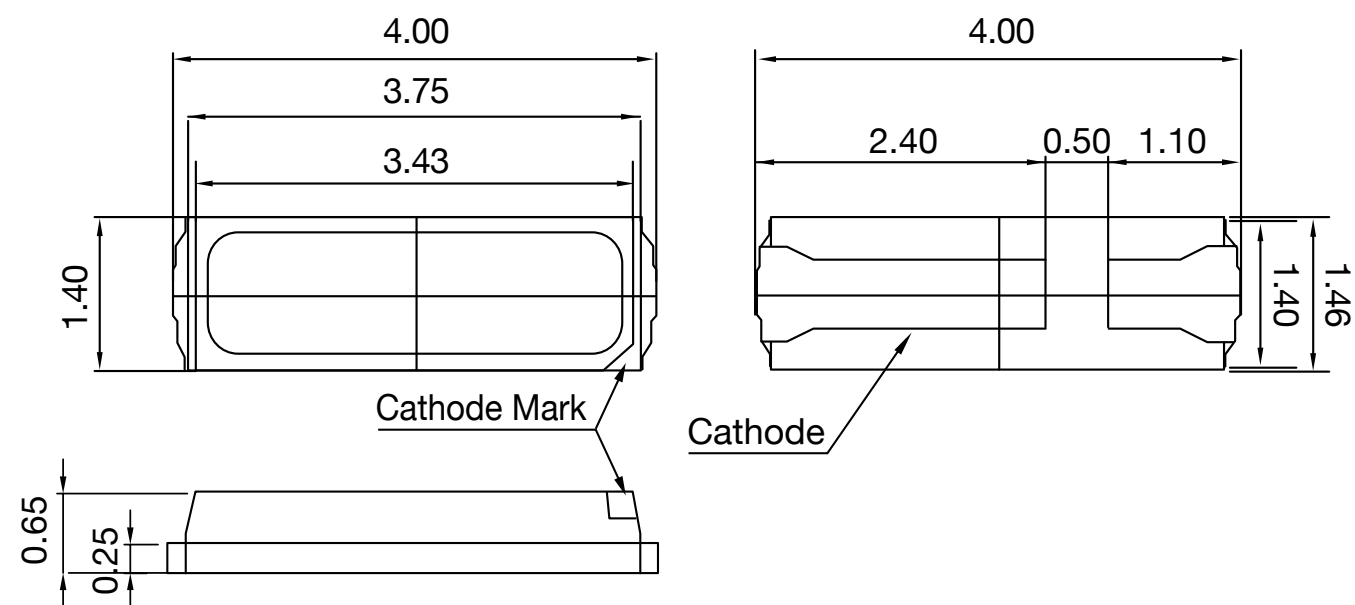


LM401BA+



IP guaranteed mid-power 0.2W package for slim edge-lit panel applications

- 0.2W class mid-power LED
- Suitable for slim edge-lit panel applications
- Standard footprint: 4.0mm x 1.4mm



[60mA, 25°C]

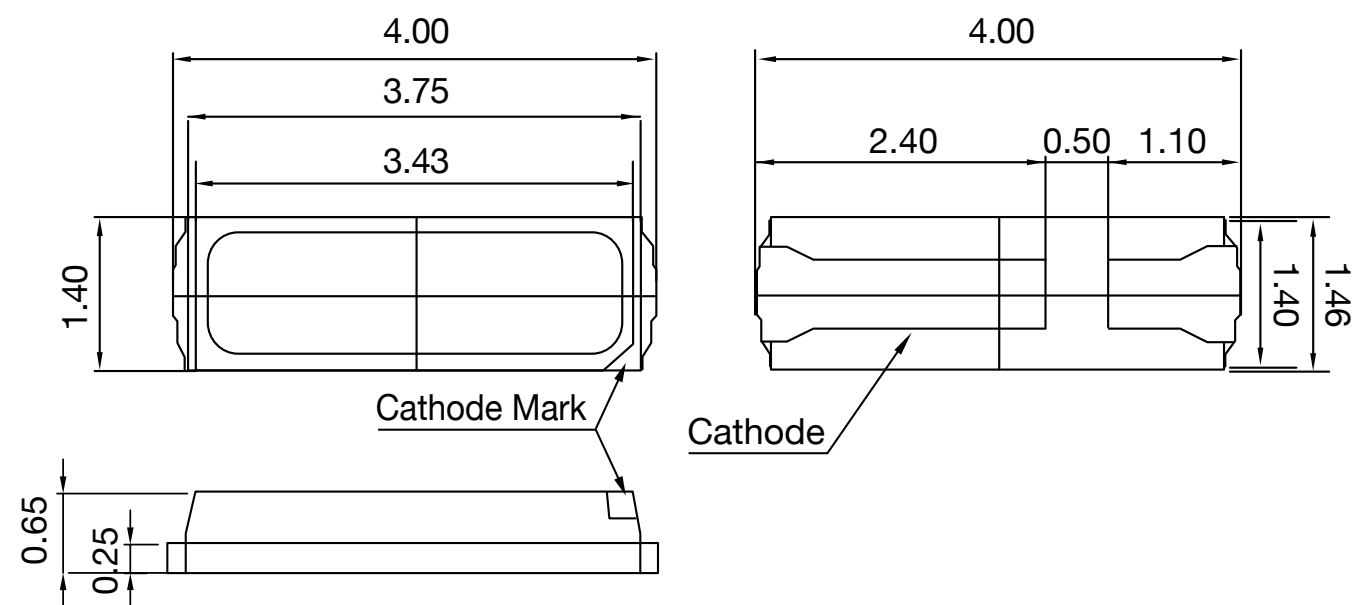
CRI	CCT (K)	Part Number	Luminous Flux (lm)		
			Bin	Min.	Max.
80+	2700	SPMWHT4106D5WAW0S*	S1	21	23
			S2	23	25
			S3	25	27
			S4	27	29
	3000	SPMWHT4106D5WAV0S*	S1	21	23
			S2	23	25
			S3	25	27
			S4	27	29
	3500	SPMWHT4106D5WAW0S*	S1	22	24
			S2	24	26
			S3	26	28
			S4	28	30
	4000	SPMWHT4106D5WAT0S*	S1	23	25
			S2	25	27
			S3	27	29
			S4	29	31
	5000	SPMWHT4106D5WAR0S*	S1	24	26
			S2	26	28
			S3	28	30
			S4	30	32
5700	SPMWHT4106D5WAQ0S*	S1	23	25	
		S2	25	27	
		S3	27	29	
		S4	29	31	
6500	SPMWHT4106D5WAP0S*	S1	23	25	
		S2	25	27	
		S3	27	29	
		S4	29	31	

LM401B+



IP guaranteed mid-power 0.5W package for slim edge-lit panel applications

- 0.5W class mid-power LED
- Suitable for slim edge-lit panel applications
- Standard footprint: 4.0mm x 1.4mm



[120mA, 25°C]

CRI	CCT (K)	Part Number	Luminous Flux (lm)		
			Bin	Min.	Max.
80+	2700	SPMWH1410CD5WAW0S*	S2	40	44
			S3	44	48
			S4	48	52
			S5	52	56
	3000	SPMWH1410CD5WAV0S*	S2	40	44
			S3	44	48
			S4	48	52
			S5	52	56
	3500	SPMWH1410CD5WAW0S*	S2	40	44
			S3	44	48
			S4	48	52
			S5	52	56
	4000	SPMWH1410CD5WAT0S*	S2	44	48
			S3	48	52
			S4	52	56
			S5	56	60
	5000	SPMWH1410CD5WAR0S*	S2	46	50
			S3	50	54
			S4	54	58
			S5	58	62
5700	SPMWH1410CD5WAQ0S*	S2	45	49	
		S3	49	53	
		S4	53	57	
		S5	57	61	
6500	SPMWH1410CD5WAP0S*	S2	44	48	
		S3	48	52	
		S4	52	56	
		S5	56	60	