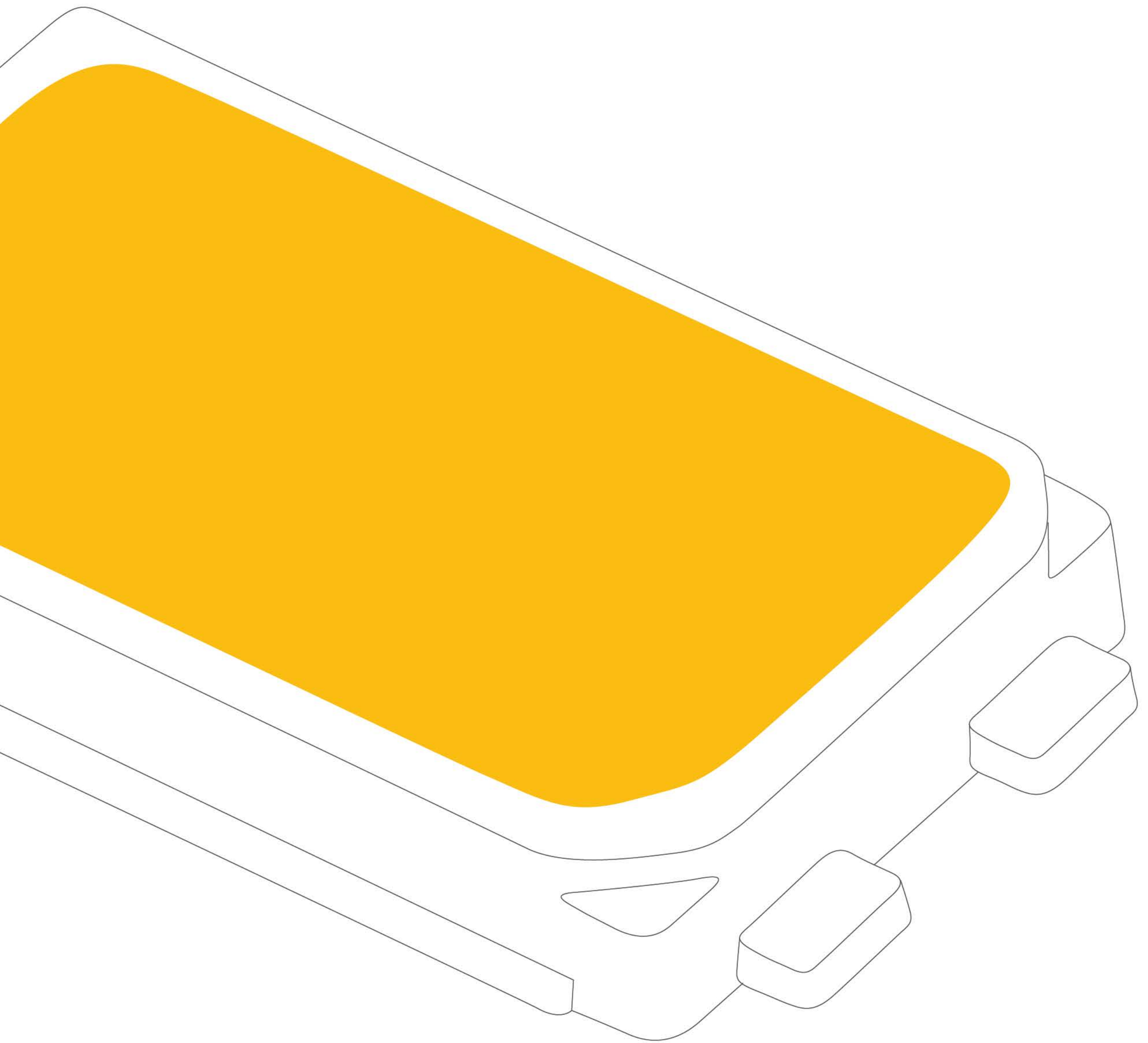


General Lighting | Package

# Mid Power LEDs -5630

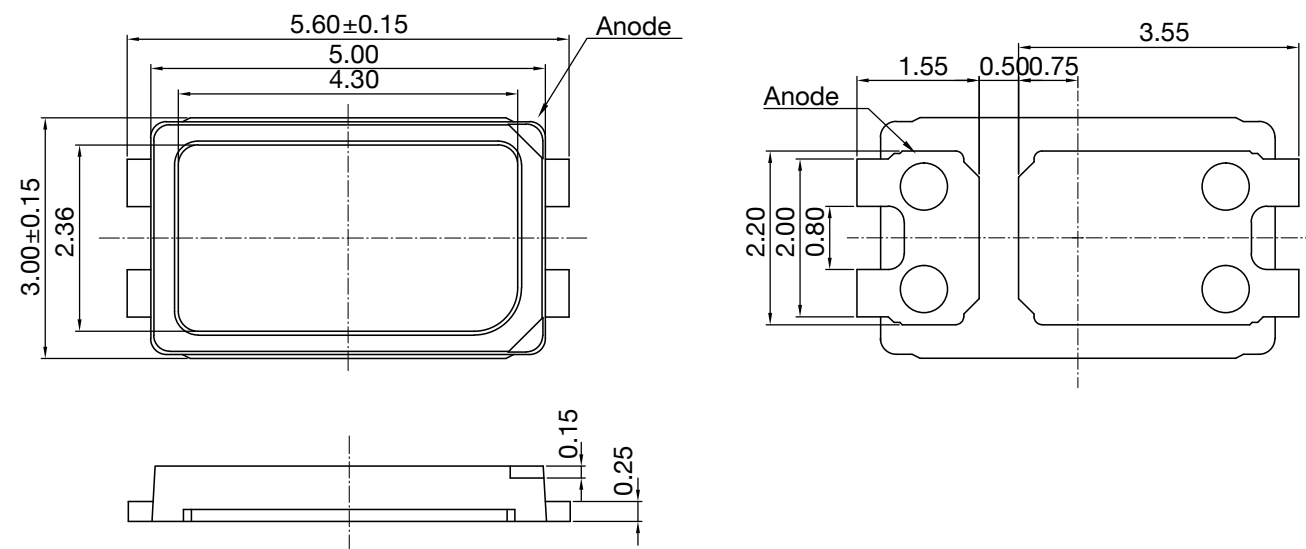


# LM561B+



## Balanced lm/\$ for ambient

- 0.3W class mid-power LED
- High efficacy for distributed light
- Standard footprint: 5.6mm x 3.0mm



[65mA, 25°C]

CRI	CCT (K)	Part Number	Luminous Flux (lm)		
			Bin	Min.	Max.
70+	2700	SPMWHT541MP3WAW0S0	S5	32	34
			S6	34	36
			S7	36	38
	3000	SPMWHT541MP3WAV0S0	S5	32.5	34.5
			S6	34.5	36.5
			S7	36.5	38.5
	3500	SPMWHT541MP3WAU0S0	S5	33	35
			S6	35	37
			S7	37	39
	4000	SPMWHT541MP3WAT0S0	S5	34	35.8
			S6	35.8	38
			S7	38	40
	5000	SPMWHT541MP3WAR0S0	S4	33	35
			S5	35	37
			S6	37	39
80+	2700	SPMWHT541MP5WAW0S0	S4	30	32
			S5	32	34
	3000	SPMWHT541MP5WAV0S0	S4	30.5	32.5
			S5	32.5	34.5
			S6	34.5	36.5
	3500	SPMWHT541MP5WAU0S0	S4	31	33
			S5	33	35
			S6	35	37
	4000	SPMWHT541MP5WAT0S0	S4	32	34
			S5	34	36
			S6	36	38
	5000	SPMWHT541MP5WAR0S0	S4	33	35
S5			35	37	
5700	SPMWHT541MP5WAQ0S0	S4	32.5	34.5	
		S5	34.5	36.5	
6500	SPMWHT541MP5WAP0S0	S4	32	34	
		S5	34	36	

# LM561B+

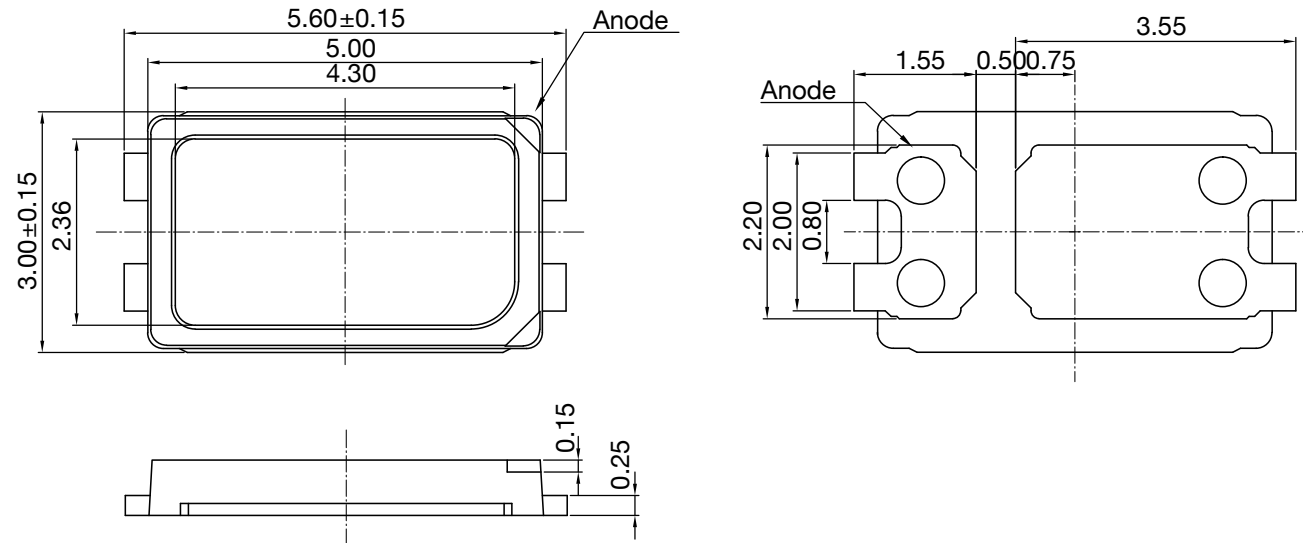
[65mA, 25°C]

CRI	CCT (K)	Part Number	Luminous Flux (lm)		
			Bin	Min.	Max.
90+	2700	SPMWHT541MP7WAW0S0	S1	24	26
			S2	26	28
			S3	28	30
	3000	SPMWHT541MP7WAV0S0	S1	24.5	26.5
			S2	26.5	28.5
			S3	28.5	30.5
	3500	SPMWHT541MP7WAU0S0	S1	25	27
			S2	27	29
			S3	29	31
	4000	SPMWHT541MP7WAT0S0	S1	26	28
			S2	28	30
			S3	30	32
	5000	SPMWHT541MP7WAR0S0	S1	27	29
			S2	29	31
			S3	31	33
	5700	SPMWHT541MP7WAQ0S0	S1	26.5	28.5
			S2	28.5	30.5
			S3	30.5	32.5
6500	SPMWHT541MP7WAP0S0	S1	26	28	
		S2	28	30	
		S3	30	32	
90+ Premium Efficacy	2700	SPMWHT541MJ7WAW0S0	SB	26	28
			SC	28	30
	3000	SPMWHT541MJ7WAV0S0	SB	27	29
			SC	29	31
	3500	SPMWHT541MJ7WAU0S0	SB	28	30
			SC	30	32
	4000	SPMWHT541MJ7WAT0S0	SB	29	31
			SC	31	33
	5000	SPMWHT541MJ7WAR0S0	SB	30	32
			SC	32	34
	5700	SPMWHT541MJ7WAQ0S0	SB	29	31
			SC	31	33
6500	SPMWHT541MJ7WAP0S0	SB	28	30	
		SC	30	32	



## Balanced lm/\$ for ambient

- 0.3W class mid-power LED
- High efficacy for distributed light
- Standard footprint: 5.6mm x 3.0mm



[65mA, 25°C]

CRI	CCT (K)	Part Number	Luminous Flux (lm)		
			Bin	Min.	Max.
70+	3000	SPMWHT541ML3XAV0S0	S5	32.5	34.5
			S6	34.5	36.5
			S7	36.5	38.5
	3500	SPMWHT541MP3WAU0S0	S5	33	35
			S6	35	37
			S7	37	39
	4000	SPMWHT541MP3WAT0S0	S5	34	36
			S6	36	38
			S7	38	40
	5000	SPMWHT541MP3WAR0S0	S5	35	37
			S6	37	39
			S7	39	41
80+	2700	SPMWHT541ML5XAW0S0	S4	30	32
			S5	32	34
	3000	SPMWHT541ML5XAV0S0	S5	32.5	34.5
			S6	34.5	36.5
	3500	SPMWHT541ML5XAU0S0	S5	33	35
			S6	35	37
	4000	SPMWHT541ML5XAT0S0	S5	34	36
			S6	36	38
	5000	SPMWHT541ML5XAR0S0	S5	35	37
			S6	37	39
	5700	SPMWHT541ML5XAQ0S0	S5	34.5	36.5
			S6	36.5	38.5
6500	SPMWHT541ML5XAP0S0	S5	34	36	
		S6	36	38	

[65mA, 25°C]

CRI	CCT (K)	Part Number	Luminous Flux (lm)		
			Bin	Min.	Max.
90+	2700	SPMWHT541MP7WAW0S0	S1	24	26
			S2	26	28
			S3	28	30
	3000	SPMWHT541MP7WAV0S0	S1	24.5	26.5
			S2	26.5	28.5
			S3	28.5	30.5
	3500	SPMWHT541MP7WAU0S0	S1	25	27
			S2	27	29
			S3	29	31
	4000	SPMWHT541MP7WAT0S0	S1	26	28
			S2	28	30
			S3	30	32
	5000	SPMWHT541MP7WAR0S0	S1	27	29
			S2	29	31
			S3	31	33
	5700	SPMWHT541MP7WAQ0S0	S1	26.5	28.5
			S2	28.5	30.5
			S3	30.5	32.5
6500	SPMWHT541MP7WAP0S0	S1	26	28	
		S2	28	30	
		S3	30	32	
90+ Premium Efficacy	2700	SPMWHT541MK7XAW0S0	SB	28	30
			SC	30	32
	3000	SPMWHT541MK7XAV0S0	SB	28	30
			SC	30	32
	3500	SPMWHT541MK7XAU0S0	SB	29	31
			SC	31	33
	4000	SPMWHT541MK7XAT0S0	SB	30	32
			SC	32	34
	5000	SPMWHT541MK7XAR0S0	SB	31	33
			SC	33	35
	5700	SPMWHT541MK7XAQ0S0	SB	30	32
			SC	32	34
6500	SPMWHT541MK7XAP0S0	SB	30	32	
		SC	32	34	