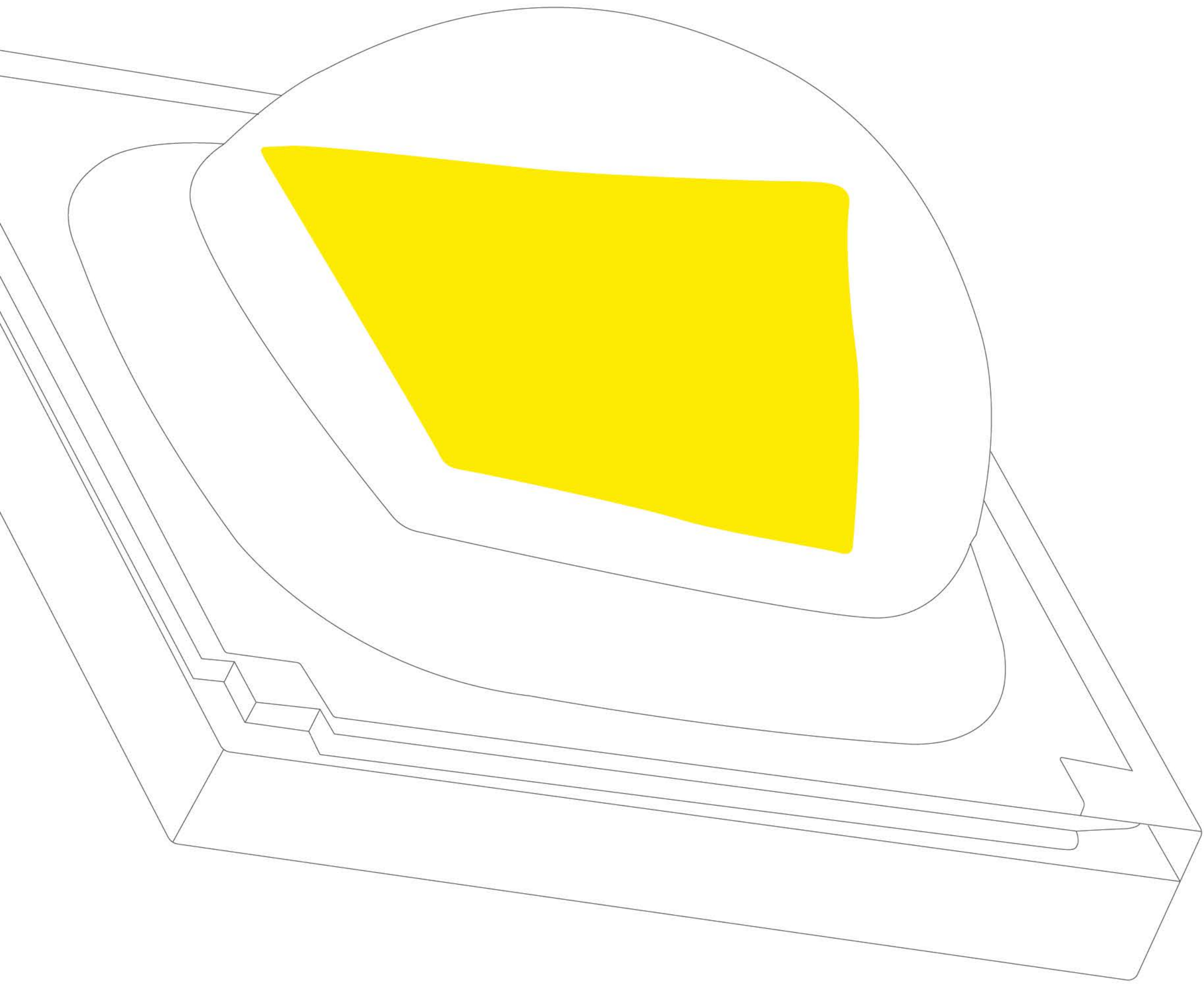
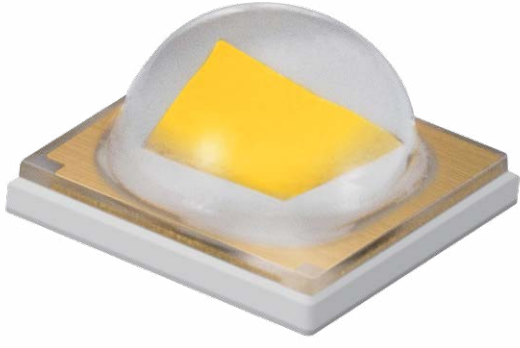


General Lighting | Package

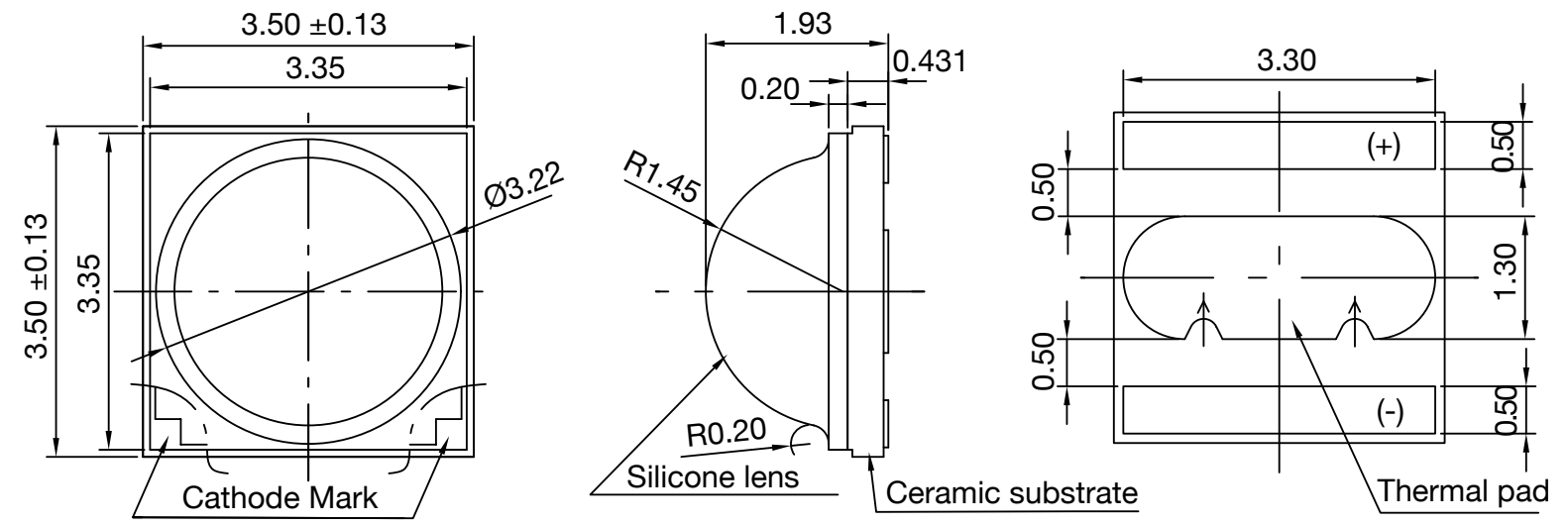
High Power LEDs – 3535





Cost effective solution for outdoor & directional lighting applications

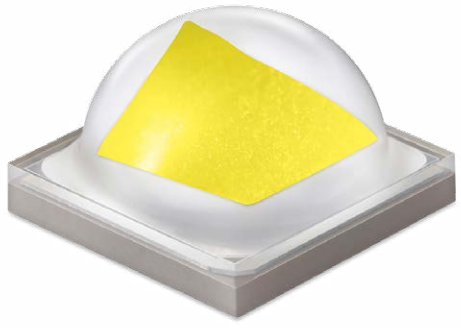
- Operates at a maximum current of up to 1.5A
- Footprint: 3.5mm x 3.5mm



[350mA, 85°C]

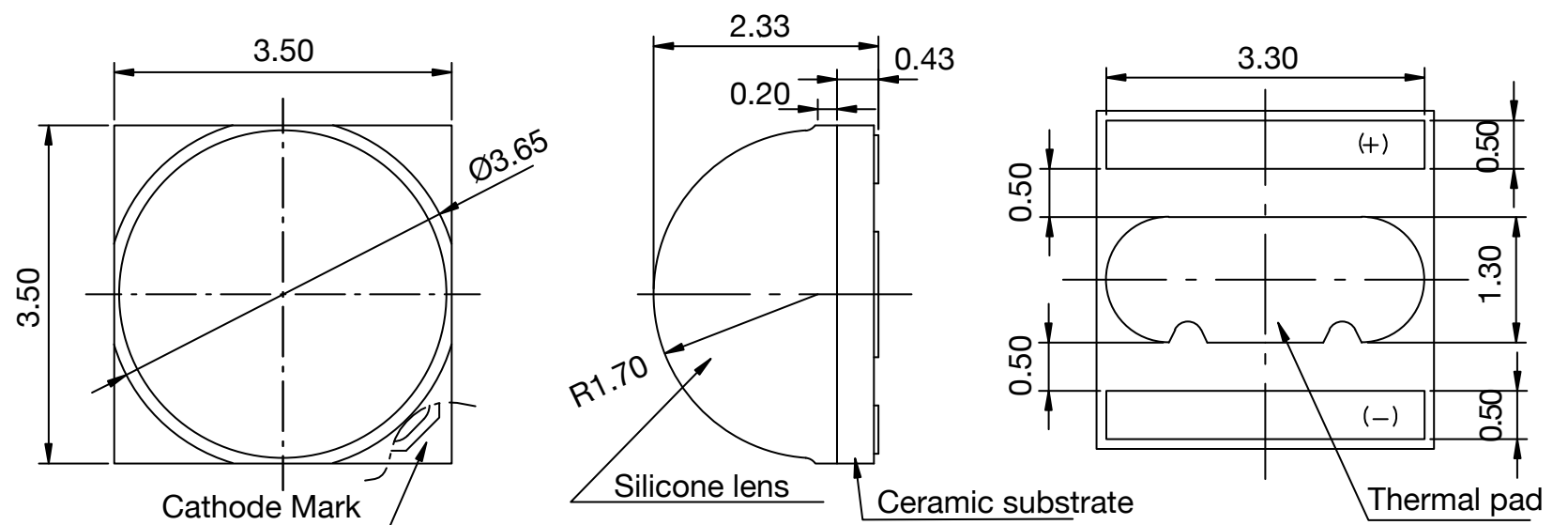
CRI	CCT (K)	Part Number	Luminous Flux (lm)		
			Bin	Min.	Max.
70+	2200	SPHWH2L3D30CD4Y0K3	K1, M1, N1	130	160
		SPHWH2L3D30CD4W0K3	K1, M1, N1	130	160
	2700	SPHWH2L3D30CD4W0M3	M1, N1, P1	140	170
		SPHWH2L3D30CD4W0N3	N1, P1, Q1	150	180
	3000	SPHWH2L3D30CD4V0M3	M1, N1, P1	140	170
		SPHWH2L3D30CD4V0N3	N1, P1, Q1	150	180
	3500	SPHWH2L3D30CD4U0K3	K1, M1, N1	130	160
		SPHWH2L3D30CD4U0M3	M1, N1, P1	140	170
		SPHWH2L3D30CD4U0N3	N1, P1, Q1	150	180
	4000	SPHWH2L3D30CD4T0N3	N1, P1, Q1	150	180
		SPHWH2L3D30CD4T0P3	P1, Q1, R1	160	190
		SPHWH2L3D30CD4T0Q2	Q1, R1	170	180
		SPHWH2L3D30CD4T0Q3	Q1, R1, S1	170	200
	5000	SPHWH2L3D30CD4RTM3	M1, N1, P1	140	170
		SPHWH2L3D30CD4RTN3	N1, P1, Q1	150	180
		SPHWH2L3D30CD4RTP3	P1, Q1, R1	160	190
		SPHWH2L3D30CD4RTQ2	Q1, R1	170	190
		SPHWH2L3D30CD4R0Q3	Q1, R1, S1	170	200
	5700	SPHWH2L3D30CD4QTN3	N1, P1, Q1	150	180
		SPHWH2L3D30CD4QTP3	P1, Q1, R1	160	190
SPHWH2L3D30CD4Q0Q2		Q1, R1	170	190	
SPHWH2L3D30CD4Q0Q3		Q1, R1, S1	170	200	
6500	SPHWH2L3D30CD4PTN3	N1, P1, Q1	150	180	
	SPHWH2L3D30CD4PTP3	P1, Q1, R1	160	190	

CRI	CCT (K)	Part Number	Luminous Flux (lm)		
			Bin	Min.	Max.
80+	2200	SPHWH2L3D30ED4Y0G3	G1, H1, J1	100	130
	2700	SPHWH2L3D30ED4W0J3	J1, K1, M1	120	150
		SPHWH2L3D30ED4W0K3	K1, M1, N1	130	160
	3000	SPHWH2L3D30ED4V0J3	J1, K1, M1	120	150
		SPHWH2L3D30ED4V0K3	K1, M1, N1	130	160
		SPHWH2L3D30ED4V0M3	M1, N1, P1	140	170
	3500	SPHWH2L3D30ED4U0K3	K1, M1, N1	130	160
		SPHWH2L3D30ED4U0M3	M1, N1, P1	140	170
	4000	SPHWH2L3D30ED4T0K3	K1, M1, N1	130	160
		SPHWH2L3D30ED4T0M3	M1, N1, P1	140	170
	5000	SPHWH2L3D30ED4RTM3	M1, N1, P1	140	170
		SPHWH2L3D30ED4RTN3	N1, P1, Q1	150	180
	5700	SPHWH2L3D30ED4QTM3	M1, N1, P1	140	170
	6000	SPHWH2L3D30ED4PQK3	K1, M1, N1	130	160
		SPHWH2L3D30ED4PQM3	M1, N1, P1	140	170
	6500	SPHWH2L3D30ED4PTK3	K1, M1, N1	130	160
		SPHWH2L3D30ED4PTM3	M1, N1, P1	140	170
	90+	2700	SPHWH2L3D30GD4W0F3	F1, G1, H1	90
SPHWH2L3D30GD4W0G3			G1, H1, J1	100	130
3000		SPHWH2L3D30GD4V0G3	G1, H1, J1	100	130
		SPHWH2L3D30GD4V0H3	H1, J1, K1	110	140
3500		SPHWH2L3D30GD4U0G3	G1, H1, J1	100	130
		SPHWH2L3D30GD4U0H3	H1, J1, K1	110	140
4000		SPHWH2L3D30GD4T0J3	J1, K1, M1	120	150
5000		SPHWH2L3D30GD4T0K3	K1, M1, N1	130	160



High performance suitable for street, high/low bay & stadium/arena lighting applications

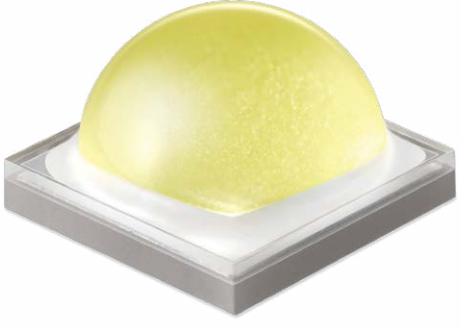
- Operates at a maximum current of up to 2.0A
- Footprint: 3.5mm x 3.5mm



[700mA, 85°C]

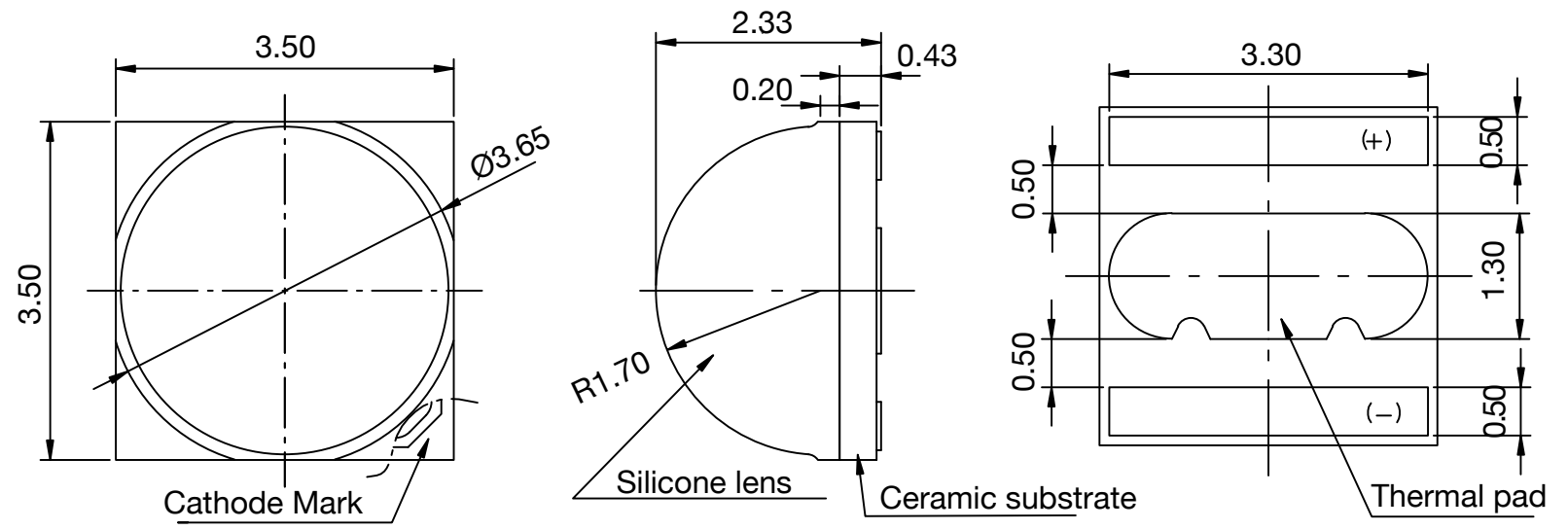
CRI	CCT (K)	Part Number	Luminous Flux (lm)		
			Bin	Min.	Max.
70+	2200	SPHWHTL3D50CE4Y0MF	MB, NB, PB	250	310
	2700	SPHWHTL3D50CE4W0MF	MB, NB, PB	250	310
		SPHWHTL3D50CE4W0NF	NB, PB, QB	270	330
	3000	SPHWHTL3D50CE4V0NF	NB, PB, QB	270	330
		SPHWHTL3D50CE4V0PF	PB, QB, RB	290	350
		SPHWHTL3D50CE4V0QF	QB, RB, SB	310	370
	3500	SPHWHTL3D50CE4U0PF	PB, QB, RB	290	350
		SPHWHTL3D50CE4U0QF	QB, RB, SB	310	370
	4000	SPHWHTL3D50CE4T0PF	PB, QB, RB	290	350
		SPHWHTL3D50CE4T0QF	QB, RB, SB	310	370
		SPHWHTL3D50CE4T0RF	RB, SB, TB	330	390
	5000	SPHWHTL3D50CE4R0PF	PB, QB, RB	290	350
		SPHWHTL3D50CE4R0QF	QB, RB, SB	310	370
		SPHWHTL3D50CE4R0RF	RB, SB, TB	330	390
	5700	SPHWHTL3D50CE4Q0PF	PB, QB, RB	310	370
		SPHWHTL3D50CE4Q0QF	QB, RB, SB	310	370
		SPHWHTL3D50CE4Q0RF	RB, SB, TB	330	390
	6500	SPHWHTL3D50CE4P0PF	PB, QB, RB	290	350
		SPHWHTL3D50CE4PTQF	QB, RB, SB	310	370
	75+	3000	SPHWHTL3D50DE4V0PF	PB, QB, RB	290
3500		SPHWHTL3D50DE4U0PF	PB, QB, RB	290	350
4000		SPHWHTL3D50DE4T0PF	PB, QB, RB	290	350
5000		SPHWHTL3D50DE4RTPF	PB, QB, RB	290	350
		SPHWHTL3D50DE4RTQF	QB, RB, SB	310	370
5700		SPHWHTL3D50DE4QTPF	PB, QB, RB	290	350
		SPHWHTL3D50DE4QTQF	QB, RB, SB	310	370

CRI	CCT (K)	Part Number	Luminous Flux (lm)		
			Bin	Min.	Max.
80+	2700	SPHWHTL3D50EE4W0MF	MB, NB, PB	250	310
		SPHWHTL3D50EE4W0NF	NB, PB, QB	270	330
	3000	SPHWHTL3D50EE4V0NF	NB, PB, QB	270	330
	3500	SPHWHTL3D50EE4U0NF	NB, PB, QB	270	330
	4000	SPHWHTL3D50EE4T0MF	MB, NB, PB	250	310
		SPHWHTL3D50EE4T0NF	NB, PB, QB	270	330
	5000	SPHWHTL3D50EE4RTNF	NB, PB, QB	270	330
		SPHWHTL3D50EE4RTPF	PB, QB, RB	290	350
	5700	SPHWHTL3D50EE4QTNF	NB, PB, QB	270	330
		SPHWHTL3D50EE4QTPF	PB, QB, RB	290	350
90+	2700	SPHWHTL3D50GE4W0HF	HB, JB, KB	190	250
		SPHWHTL3D50GE4W0JF	JB, KB, MB	210	270
	3000	SPHWHTL3D50GE4V0JF	JB, KB, MB	210	270
	3500	SPHWHTL3D50GE4U0JF	JB, KB, MB	210	270
		SPHWHTL3D50GE4U0KF	KB, MB, NB	230	290
	4000	SPHWHTL3D50GE4T0JF	JB, KB, MB	210	270
		SPHWHTL3D50GE4T0KF	KB, MB, NB	230	290
	5000	SPHWHTL3D50GE4RTKF	KB, MB, NB	230	290
		SPHWHTL3D50GE4RTMF	MB, NB, PB	250	310
	5700	SPHWHTL3D50GE4QTKF	KB, MB, NB	230	290
SPHWHTL3D50GE4QTMF		MB, NB, PB	250	310	



Best solution for high lumen output: street & sports lighting applications

- Operates at a maximum current of up to 3.0A
- Footprint: 3.5mm x 3.5mm



[1050mA, 85°C]

CRI	CCT (K)	Part Number	Luminous Flux (lm)		
			Bin	Min.	Max.
70+	2700	SPHWHTL3DA0CF4W0S6	S2, T2, U2	380	420
		SPHWHTL3DA0CF4W0T6	T2, U2, V2	400	440
	3000	SPHWHTL3DA0CF4V0V6	V2, W2, Y2	440	480
		SPHWHTL3DA0CF4V0W6	W2, Y2, Z2	460	500
	3500	SPHWHTL3DA0CF4U0V6	V2, W2, Y2	440	480
		SPHWHTL3DA0CF4U0W6	W2, Y2, Z2	460	500
		SPHWHTL3DA0CF4U0W6	Y2, Z2, 12	480	520
	4000	SPHWHTL3DA0CF4T0W6	W2, Y2, Z2	460	520
		SPHWHTL3DA0CF4T0Y6	Y2, Z2, 12	480	540
	5000	SPHWHTL3DA0CF4RTW6	W2, Y2, Z2	460	500
		SPHWHTL3DA0CF4RTY6	Y2, Z2, 12	480	520
		SPHWHTL3DA0CF4RTZ6	Z2, 12, 22	500	540
	5700	SPHWHTL3DA0CF4QTV6	V2, W2, Y2	440	480
		SPHWHTL3DA0CF4QTW6	W2, Y2, Z2	460	500
		SPHWHTL3DA0CF4QTY6	Y2, Z2, 12	480	520
	6500	SPHWHTL3DA0CF4PTW6	W2, Y2, Z2	460	500
		SPHWHTL3DA0CF4PTY6	Y2, Z2, 12	480	520

CRI	CCT (K)	Part Number	Luminous Flux (lm)		
			Bin	Min.	Max.
80+	2700	SPHWHTL3DA0EF4W0Q6	Q2, R2, S2	340	380
		SPHWHTL3DA0EF4W0R6	R2, S2, T2	360	400
	3000	SPHWHTL3DA0EF4V0R6	R2, S2, T2	360	400
	3500	SPHWHTL3DA0EF4U0R6	R2, S2, T2	360	400
		SPHWHTL3DA0EF4U0S6	S2, T2, U2	380	420
	4000	SPHWHTL3DA0EF4T0S6	S2, T2, U2	380	420
		SPHWHTL3DA0EF4T0T6	T2, U2, V2	400	440
	5000	SPHWHTL3DA0EF4RTS6	S2, T2, U2	380	420
		SPHWHTL3DA0EF4RTT6	T2, U2, V2	400	440
		SPHWHTL3DA0EF4RTU6	U2, V2, W2	420	460
	5300	SPHWHTL3DA0EF4QRT6	T2, U2, V2	400	440
		SPHWHTL3DA0EF4QRU6	U2, V2, W2	420	460
	5700	SPHWHTL3DA0EF4QTT6	T2, U2, V2	400	440
		SPHWHTL3DA0EF4QTU6	U2, V2, W2	420	460
	6000	SPHWHTL3DA0EF4PQT6	T2, U2, V2	400	440
		SPHWHTL3DA0EF4PQU6	U2, V2, W2	420	460
	6500	SPHWHTL3DA0EF4PTT6	T2, U2, V2	400	440
		SPHWHTL3DA0EF4PTU6	U2, V2, W2	420	460
90+	2700	SPHWHTL3DA0GF4W0M6	M2, N2, P2	280	320
		SPHWHTL3DA0GF4W0N6	N2, P2, Q2	300	340
	3000	SPHWHTL3DA0GF4V0N6	N2, P2, Q2	300	340
		SPHWHTL3DA0GF4V0P6	P2, Q2, R2	320	360
	3500	SPHWHTL3DA0GF4U0N6	N2, P2, Q2	300	340
		SPHWHTL3DA0GF4U0P6	P2, Q2, R2	320	360
	4000	SPHWHTL3DA0GF4T0P6	P2, Q2, R2	320	360
		SPHWHTL3DA0GF4T0Q6	Q2, R2, S2	340	380
	5000	SPHWHTL3DA0GF4RTR6	R2, S2, T2	360	400
		SPHWHTL3DA0GF4RTS6	S2, T2, U2	380	420
6000	SPHWHTL3DA0GF4PQR6	R2, S2, T2	360	400	
	SPHWHTL3DA0GF4PQS6	S2, T2, U2	380	420	